



Spare Parts 4 GSCH v.2
VERSION 2018-9
SPARE PARTS MANUAL



PARTS LIST CATALOGUE

NORMS TO PLACE AN ORDER:

For fast and more efficient service, please specify the following information on spare parts orders that must be preferably done by FAX or e-mail as specified below:

- 1- Engine model: As shown in identification plate
- 2- Engine serial number: As shown in identification plate and stamped on crankcase
- 3- Item description + part number + quantity required

Spare parts requests must be addressed to:

recambios@solediesel.com

Tel.: +34 93 775 44 05

Fax: +34 93 775 30 13

The components shown in the catalog have:

- Figure: Number by which they are represented in scheme
 - Description: Trade name of the component
 - Quantity: Total number of parts used in the assembly of the part represented (may differ from the total minimum quantities)
- Hoses, indicates the total length in meters
-

The diagrams shown in this catalog of spare parts, have only the purpose to identify the piece in question, its representation is not meaningful and may differ from the actual piece.

In case of doubt, contact Solé Diesel, or your authorized dealer.

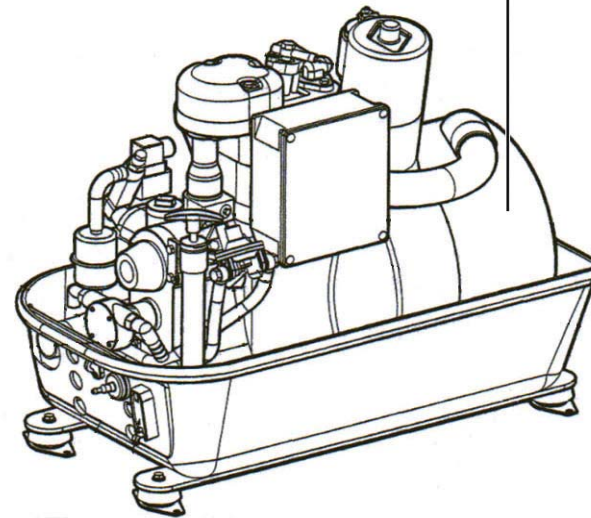
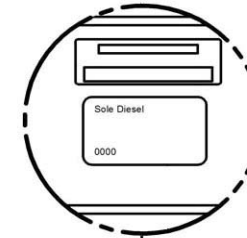
The parts i / or references in this catalog are subject to change without notice.

SOLÉ, S.A.

C-243b, Km, 2 - P.O. BOX 15
08760 Martorell (Barcelona) Spain

Download the latest version of this manual [HERE](#)

PLACA
PLATE



Engine Body, 4 GSCH v.2

Cylinder Head
Oil System
Engine Brackets
Rocker Cover & Breather
Valve Drive
Timing Parts
Gear Case
Engine Body
Piston & Connectiong Rod
Crankshaft & Flywheel

Inlet & Exhaust System 4 GSCH v.2

Inlet

Cooling System 4 GSCH v.2

Cooler Pipes
Water Pump
Wet Exhaust

Fuel System, 4 GSCH v.2

Fuel Pipe
Injection Nozzle
Fuel Injection Pump
Governor Parts
Fuel Supply Parts

Electrical System, 4 GSCH v.2

Starter Assy
Electrical Wiring

Alternator, 4 GSCH v.2

Alternator

Cabin 4 GSCH v.2

Cabin

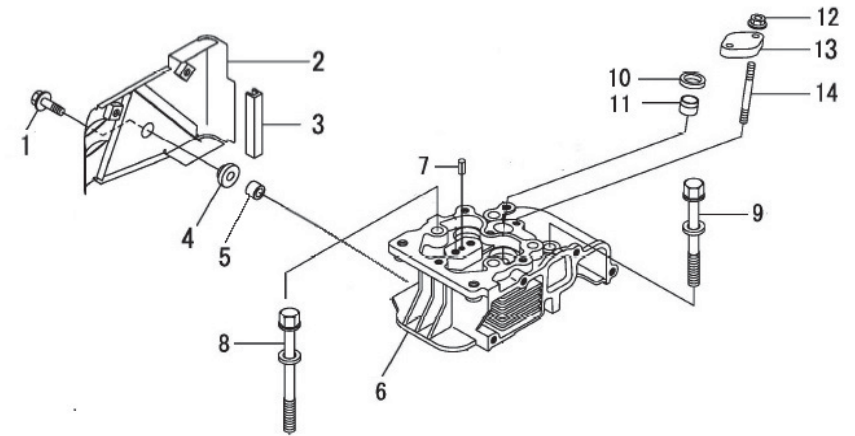
Gasket Set, 4 GSCH v.2

Gasket Set

Engine Body, 4 GSCH v.2



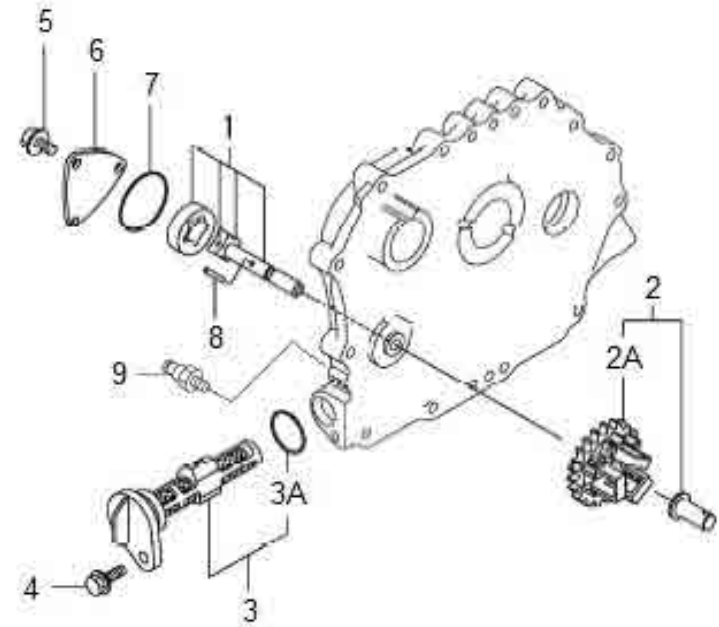
D_GTA1_1_1		Cylinder Head			
FIG.	REF.	QTY	DESCR.	FROM	UPTO
1	GC021002	1	Bolt, M6x20		
2	GC021003	1	Cover		
3	GC021004	1	Rubber Seal		
4	GC021005	1	Washer		
5	GC021006	1	Gros		
6	GC021001	1	Cylinder Head		
7	GC021007	1	Spring		
8	GC021008	2	Bolt, Cylinder Head A		
9	GC021018	2	Bolt, Cylinder Head B		
10	GC021020	1	Nozzle Seat		
11	GC021011	1	Nozzle Protector		
12	GC021012	2	Nut, M6		
13	GC021013	1	Nozzle Retainer		
14	GC021014	2	Bolt M6x40		



Engine Body, 4 GSCH v.2



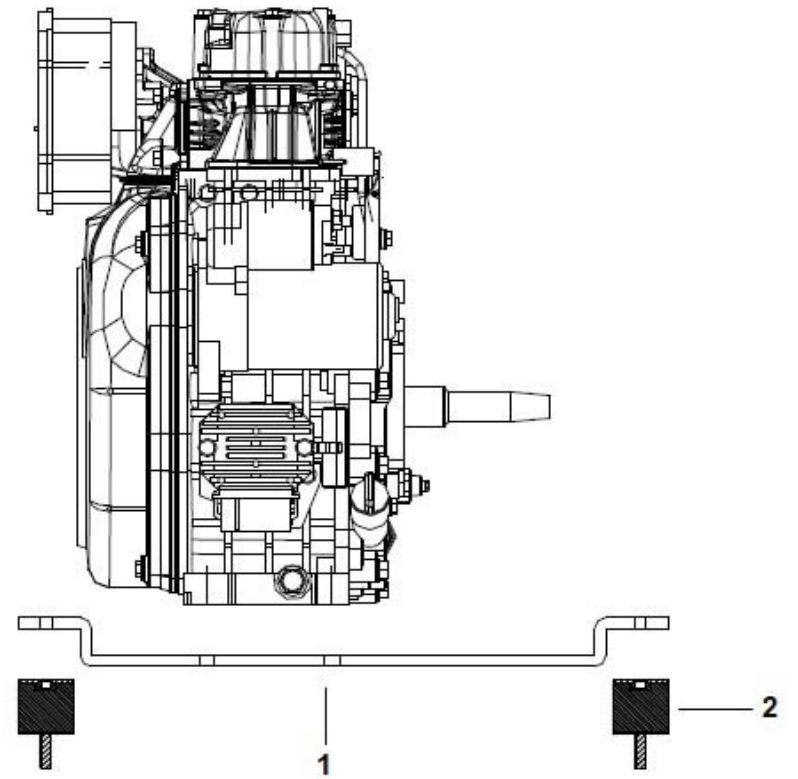
D_GTA1_1_10		Oil System			
FIG.	REF.	QTY	DESCR.	FROM	UPTO
1	GC024040	1	Oil Pump Assy		
2	GC022066	1	Governor Gear Assy		
2A	GC022067	1	Governor Gear		
3	GC024051	1	Oil Filter Element VTE		
3A	GC024000	1	O-Ring		
4	GC024001	1	Bolt M6x16		
5	GC024002	3	Bolt M6x12		
6	GC024003	1	Cover		
7	GC024004	1	O-Ring		
8	GC021017	1	Pin M3x16		
9	GC027027	1	Switch Oil Pressure		



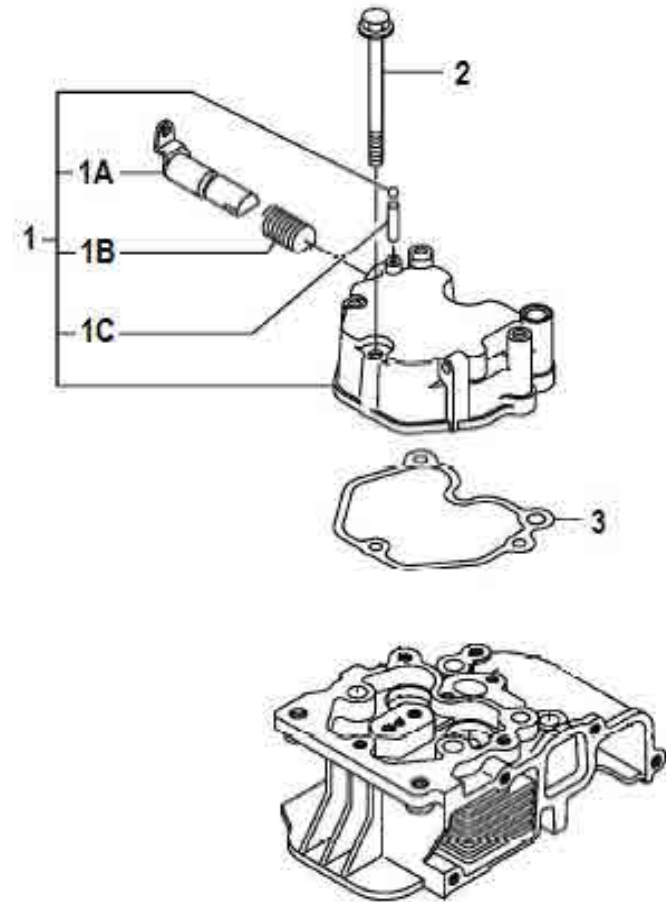
Engine Body, 4 GSCH v.2



D_GTA1_1_12		Engine Brackets			
FIG.	REF.	QTY	DESCR.	FROM	UPTO
1	GC020024	2	Inside Chasis		
2	GC020025	4	Inside Anti Vibration Mount		



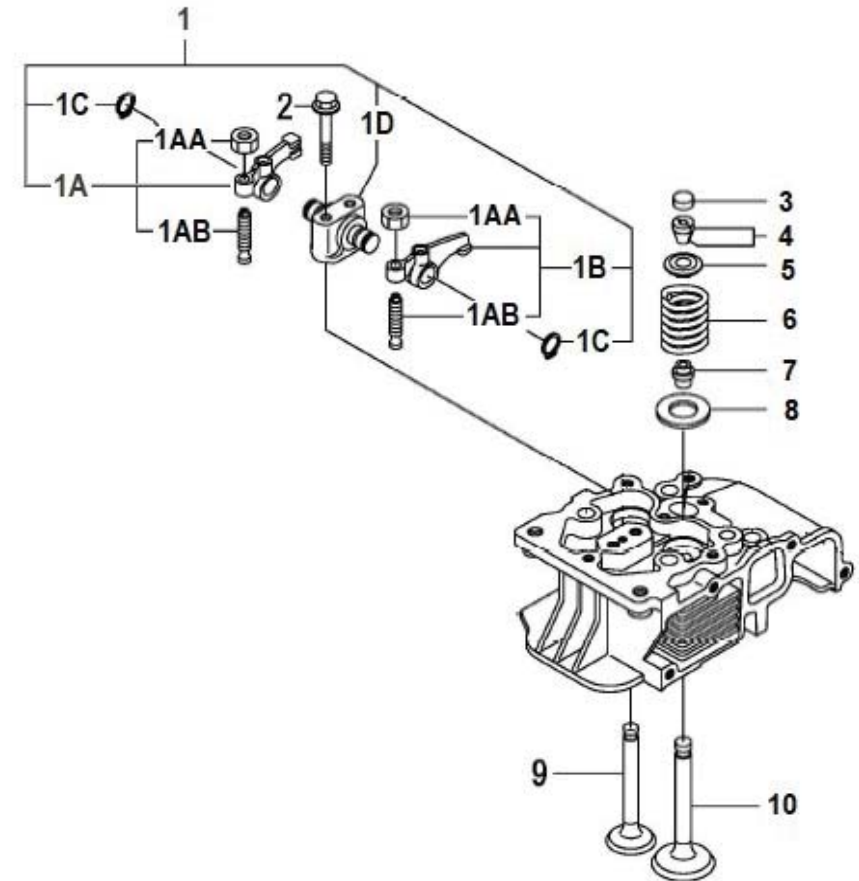
D_GTA1_1_2		Rocker Cover & Breather			
FIG.	REF.	QTY	DESCR.	FROM	UPTO
1	GC021009	1	Cover Assy, Rocker		
1A	GC021015	1	Descompression Assy		
1B	GC021016	1	Spring		
1C	GC021017	1	Pin M3x16		
2	GC021019	3	Bolt, M6x55		
3	GC021010	1	Gasket, Rocker Cover		



Engine Body, 4 GSCH v.2



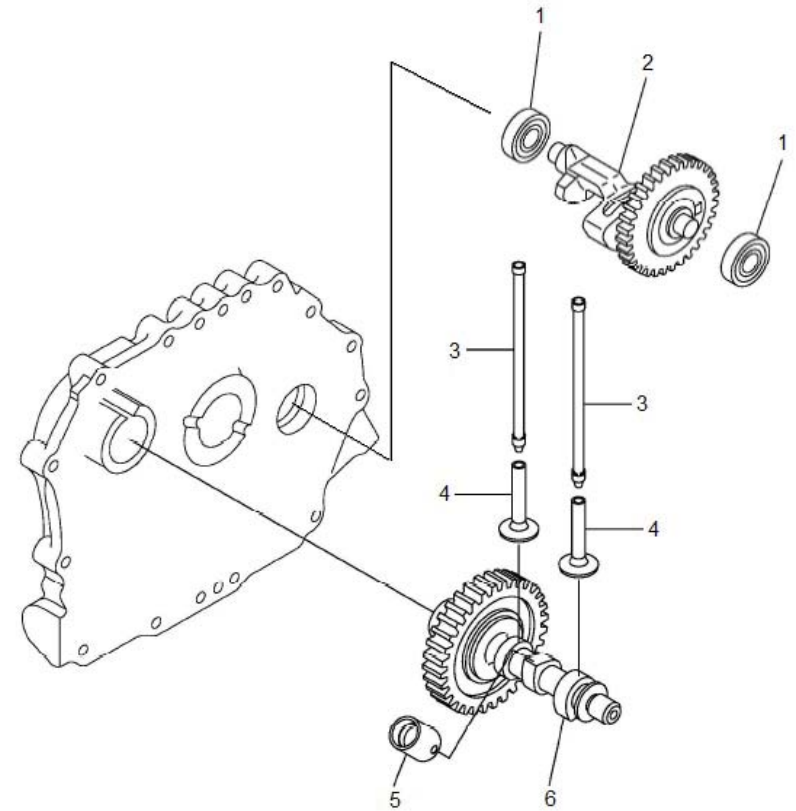
D_GTA1_1_3		Valve Drive			
FIG.	REF.	QTY	DESCR.	FROM	UPTO
1	GC022000	1	Rockers Assy		
1A	GC022142	1	Exhaust Rocker Assy		
1AA	GC022060	2	Nut M6		
1AB	GC022044	2	Screw, Valve Adjust		
1B	GC022143	1	Admision Rocker Assy		
1C	GC022004	2	Ring		
1D	GC022046	1	Rocker Arm		
2	GC022053	2	Bolt, M6x40		
3	GC022024	2	Cap Valve		
4	GC022059	2	Cotter Valve		
5	GC022058	2	Retainer		
6	GC022028	2	Spring, Valve Outler		
7	GC022054	2	Seal		
8	GC022005	2	Washer, Valve Spring		
9	GC022056	1	Exhaust Valve		
10	GC022055	1	Inlet Valve		



Engine Body, 4 GSCH v.2



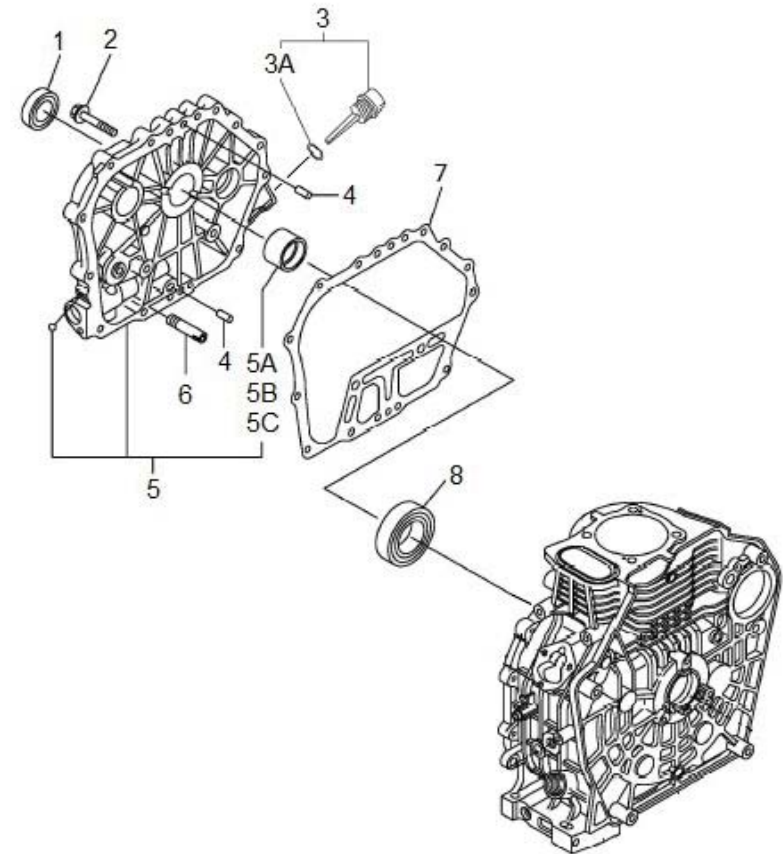
D_GTA1_1_4		Timing Parts			
FIG.	REF.	QTY	DESCR.	FROM	UPTO
1	GC022011	2	Ball Bearing 620C3		
2	GC022038	1	Shaft Gear		
3	GC022041	2	Rod		
4	GC022061	2	Tappet		
5	GC022017	1	Tappet Assy, Roller		
6	GC022035	1	Camshaft Assy		



Engine Body, 4 GSCH v.2



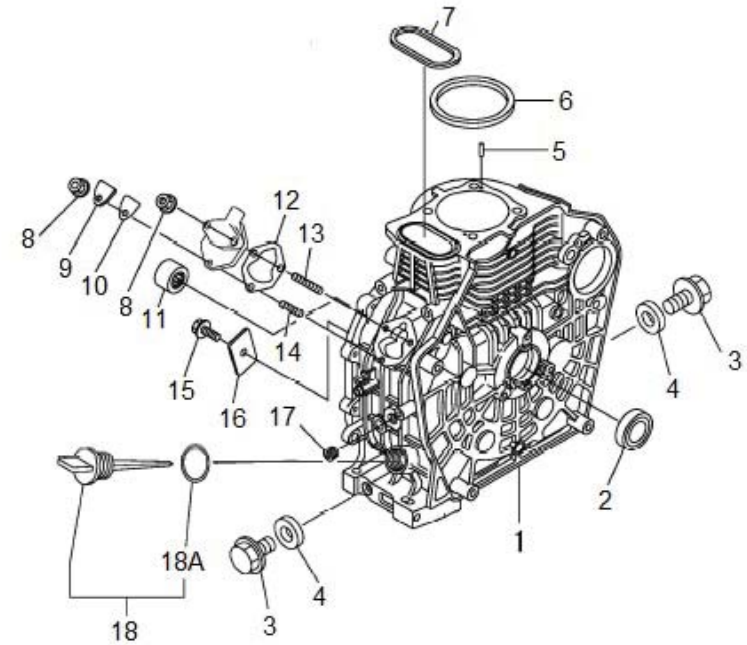
D_GTA1_1_5		Gear Case			
FIG.	REF.	QTY	DESCR.	FROM	UPTO
1	GC020039	1	Seal, Oil		
2	GC020002	15	Bolt M8x35		
3	GC020003	1	Cap Assy		
3A	GC020004	1	O-Ring		
4	GC020047	2	Pin		
5	GC020035	1	Case Gear		
5A	GC020005	1	Bearing Crankshaft Std.		
5B	GC020006	1	Bearing Crankshaft +0,25		
5C	GC020007	1	Bearing Crankshaft +0,50		
6	GC020008	1	Pipe, Oil Inlet		
7	GC020040	1	Gasket, Case Gear		
8	GC020009	1	Bearing		



Engine Body, 4 GSCH v.2



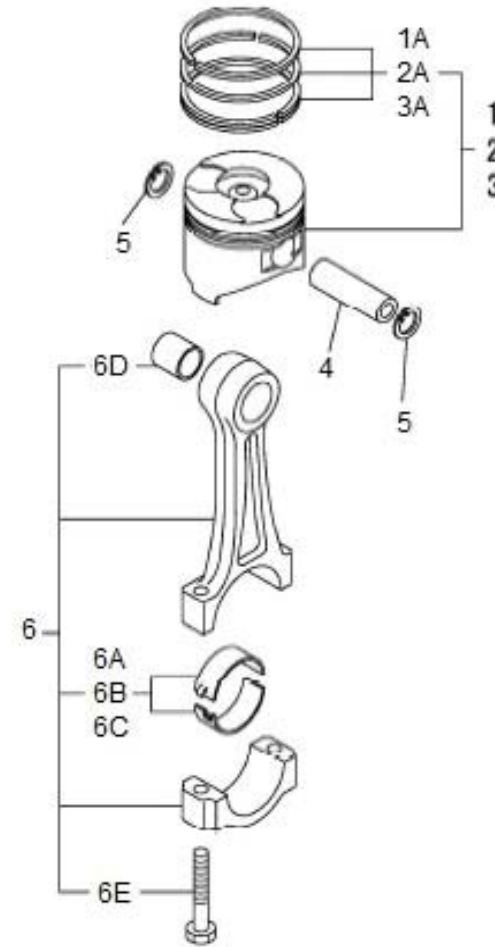
D_GTA1_1_6		Engine Body			
FIG.	REF.	QTY	DESCR.	FROM	UPTO
1	GC020001	1	Block Assy, Cylinder		
2	GC020039	1	Seal, Oil		
3	GC020010	1	Bolt M6		
4	GC020011	2	Washer		
5	GC020012	2	Pin		
6	GC020013	2	Gasket, Head		
7	GC020014	1	O-Ring		
8	GC021012	3	Nut, M6		
9	GC020015	1	Cover		
10	GC020016	3	Gasket, Cover		
11	GC020017	1	Bearing		
12	GC020018	1	Gasket		
13	GC020019	1	Stud M6x22		
14	GC020020	1	Stud M6x18		
15	GC020021	2	Bolt M8x12		
16	GC020022	1	Retainer Bearing		
17	GC020023	1	Plug		
18	GC020003	1	Cap Assy		
18A	GC020004	1	O-Ring		



Engine Body, 4 GSCH v.2



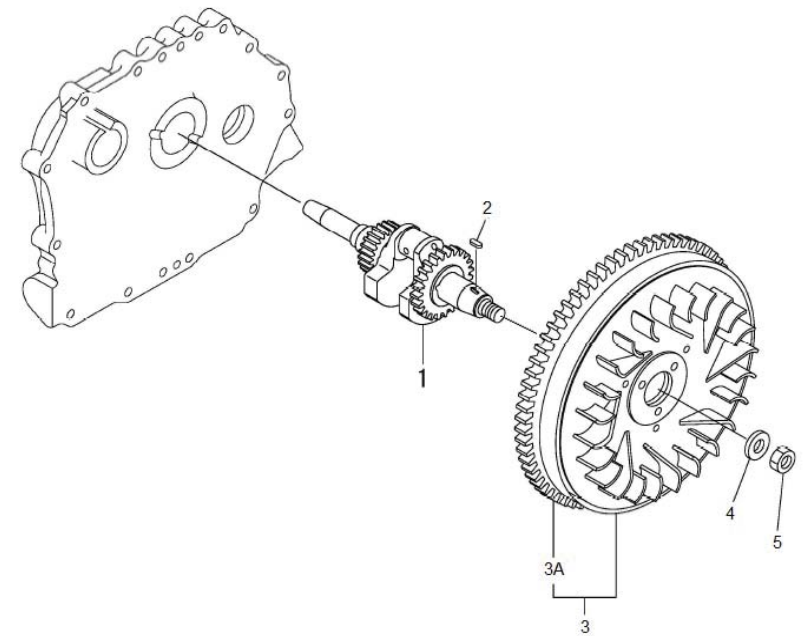
D_GTA1_1_8		Piston & Connecting Rod			
FIG.	REF.	QTY	DESCR.	FROM	UPTO
1	GC022001	1	Piston Assy Std.		
1A	GC022006	1	Ring Set Std		
2	GC022002	1	Piston Assy +0,25		
2A	GC022007	1	Ring Set Std +0,25		
3	GC022003	1	Piston Assy +0,50		
3A	GC022008	1	Ring Set Std +0,50		
4	GC022009	1	Pin, Piston		
5	GC022010	1	Ring		
6	GC022012	1	Rod Assy		
6A	GC022014	1	Rod Bearing Std.		
6B	GC022015	1	Rod Bearing +0,25		
6C	GC022016	2	Rod Bearing +0,50		
6D	GC022033	1	Bearing, Piston Pin		
6E	GC022013	1	Rod Bolt		



Engine Body, 4 GSCH v.2



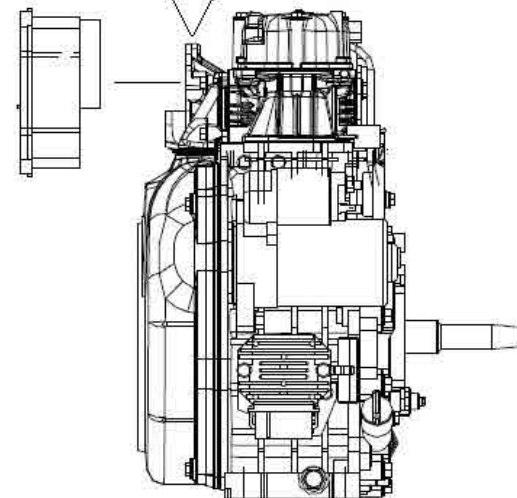
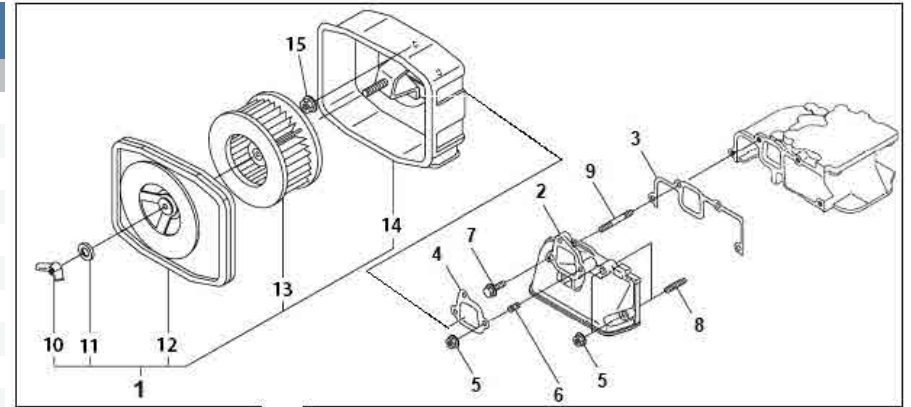
D_GTA1_1_9		Crankshaft & Flywheel			
FIG.	REF.	QTY	DESCR.	FROM	UPTO
1	GC022018	1	Cranshaft		
2	GC022034	1	Key, Cranshaft		
3	GC022027	1	Flywheel Assy		
3A	GC022029	2	Gear, Ring		
4	GC022062	1	Washer		
5	GC022063	1	Nut		



Inlet & Exhaust System 4 GSCH v.2



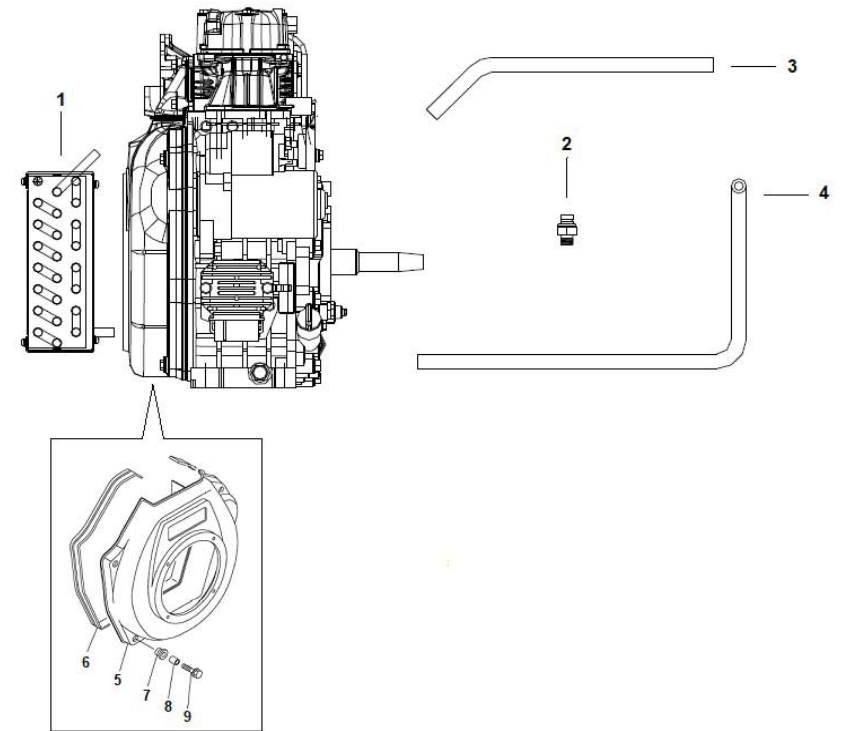
D_GTA1_2_1		Inlet			
FIG.	REF.	QTY	DESCR.	FROM	UPTO
1	GC020026	1	Air Filter Complete		
2	GC021030	1	Manifold, Intake		
3	GC021032	1	Gasket, Intake Manifold		
4	GC021021	1	Gasket, Air Filter		
5	GC021022	5	Nut		
6	GC021023	2	Stut M6x14		
7	GC021002	1	Bolt, M6x20		
8	GC021024	2	Stut M6x30		
9	GC021025	1	Stut M6x50		
10	GC020028	1	Nut, Wing M6		
11	GC020029	1	Washer, Seal M6		
12	GC020042	1	Cover, Air Cleaner		
13	GC020043	1	Element		
14	GC020044	1	Case Assy, Cleaner		
15	GC020045	3	Nut		



Cooling System 4 GSCH v.2



D_GTA1_3_2		Cooler Pipes			
FIG.	REF.	QTY	DESCR.	FROM	UPTO
1	GC021033	1	Heat Exchanger		
2	GC020070	1	Switch Thermo, Exhaust Elbow		
3	(*)	1	Not available [NP]		
4	GC021034	1	Water Pipe 60 cm		
5	GC021035	1	Seal, Fan Case		
6	GC021036	1	Fan Case		
7	GC021037	4	Cushion		
8	GC021038	4	Spacer		
9	GC021039	4	Bolt		



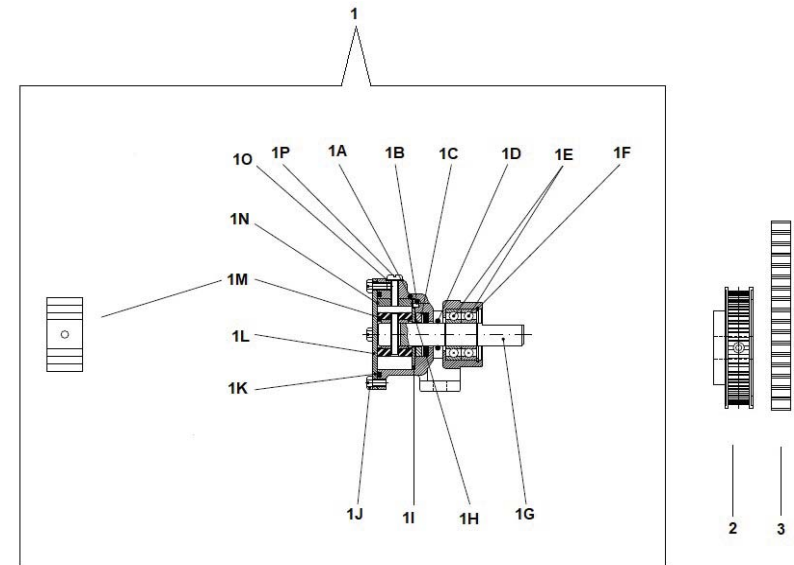
[NP] Not provided



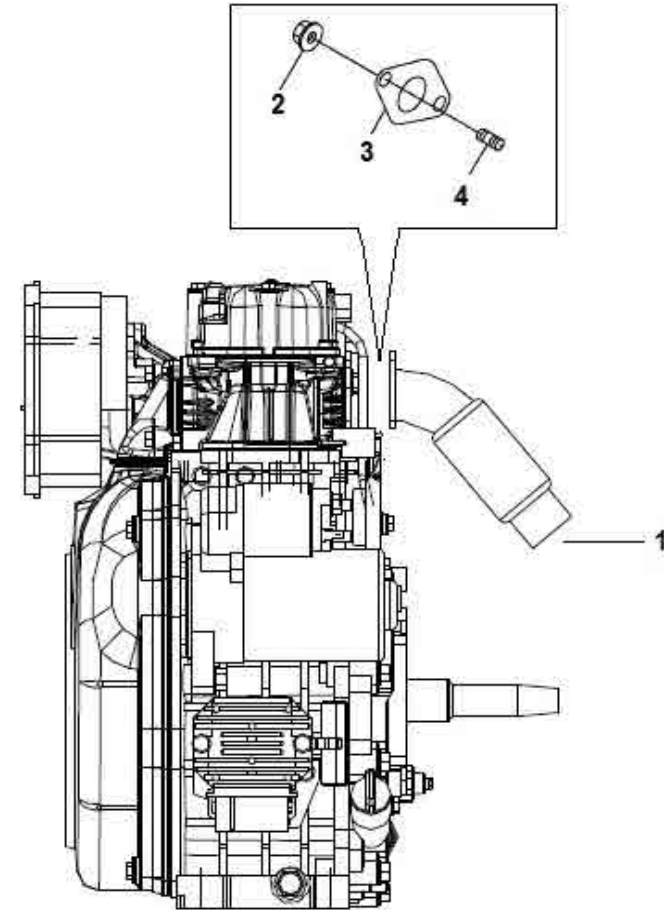
Cooling System 4 GSCH v.2



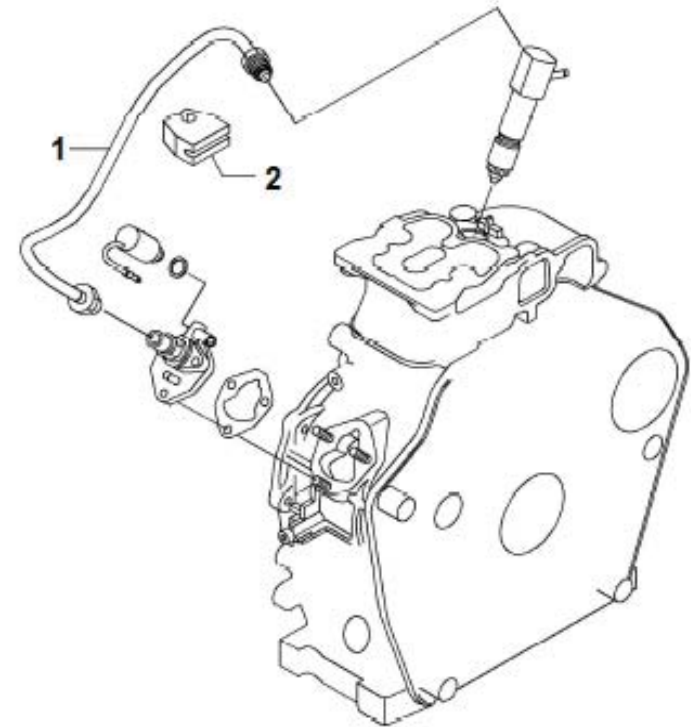
D_GTA1_3_3		Water Pump			
FIG.	REF.	QTY	DESCR.	FROM	UPTO
1	3C001000	1	Water Pump, Seawater		
1A	3C001001	1	Body, Water Pump		
1B	3C001006	1	Pin		
1C	3C001020	1	Lipseal		
1D	3C001013	6	O-Ring		
1E	3C001014	2	Ball Bearing		
1F	3C001031	1	Washer		
1G	3C001010	1	Shaft, Pump		
1H	3C001032	2	Retaining Ring		
1I	3C001026	1	Disk		
1J	GC020027	4	Bolt		
1K	3C001011	1	O-Ring		
1L	3C001002	1	Cover		
1M	605B0257	1	Spare Impeller Kit 4 GSCH		
1N	3C001005	1	Cam		
1O	3C001012	5	Washer		
1P	3C001004	1	Bolt, Cam		
2	3C001022	1	Pulley, Water Pump		
3	GC021028	1	Belt		



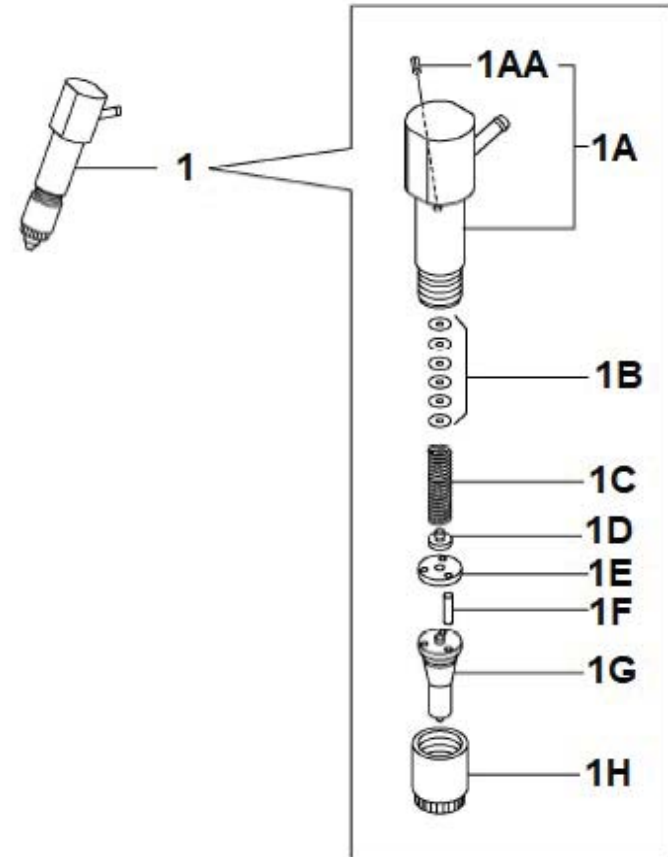
D_GTA1_3_5		Wet Exhaust			
FIG.	REF.	QTY	DESCR.	FROM	UPTO
1	GC023015	1	Exhaust Elbow		
2	GC023000	2	Nut M8		
3	GC023001	1	Gasket Exhaust Elbow		
4	GC023016	2	Stud M8x18		



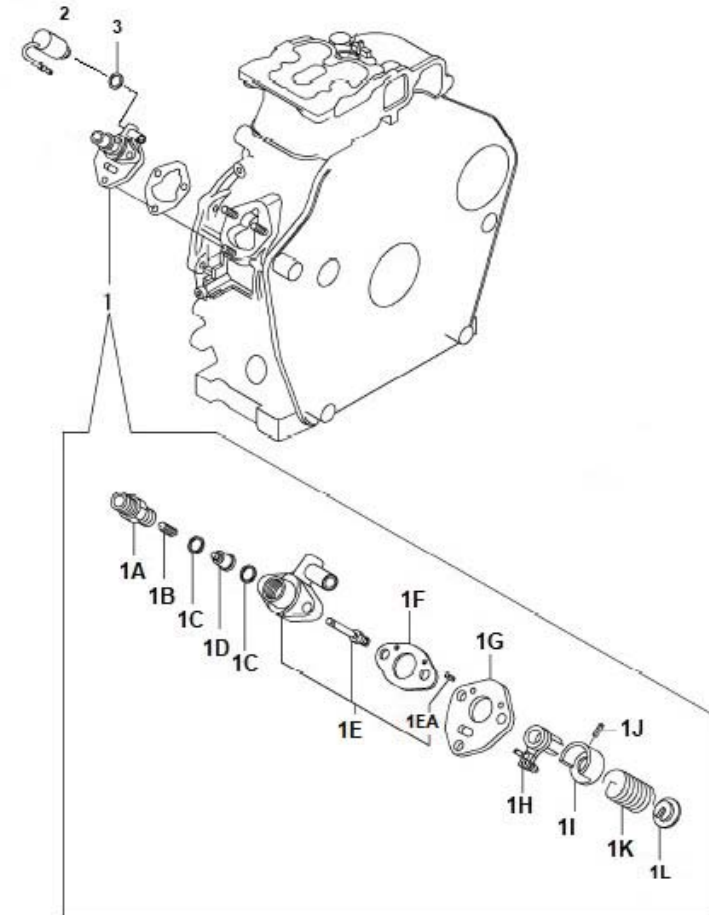
D_GTA1_4_1		Fuel Pipe				
FIG.	REF.	QTY	DESCR.	FROM	UPTO	
1	GC024015	1	Injection Pipe			
2	GC024016	1	Bracket, Injection Pipe			



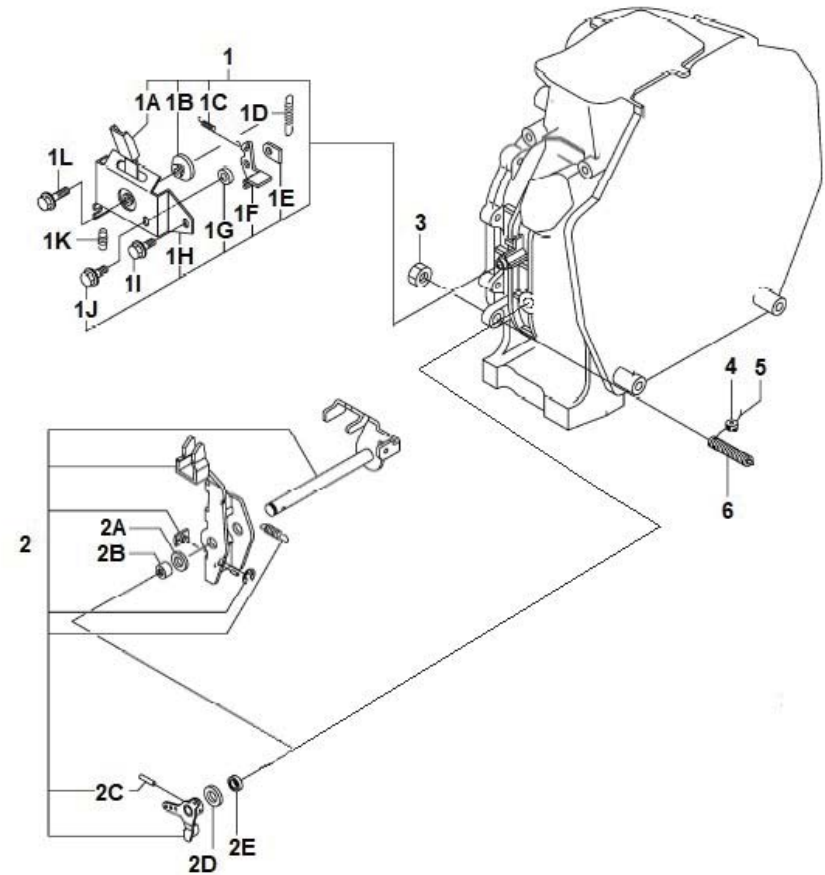
D_GTA1_4_2		Injection Nozzle			
FIG.	REF.	QTY	DESCR.	FROM	UPTO
1	GC026001	1	Fuel Injector Assy		
1A	GC026002	1	Body Injector		
1AA	GC026003	1	Spring		
1B	GC026020	1	Washer		
1C	GC026104	1	Pressure Spring		
1D	GC026103	1	Pin		
1E	GC026107	1	Plate		
1F	GC026008	2	Pin		
1G	GC028018	1	Nozzle		
1H	GC026006	1	Tuerca		



D_GTA1_4_3		Fuel Injection Pump			
FIG.	REF.	QTY	DESCR.	FROM	UPTO
1	GC025001	1	Injection Pump		
1A	GC025002	1	Bracket		
1B	GC025003	1	Spring		
1C	GC025004	2	Gasket		
1D	GC025005	1	Valve, Injection Pump		
1E	GC025006	1	Body, Injection Pump		
1EA	GC025007	2	Pin		
1F	GC025008	1	Gasket		
1G	GC025009	1	Plate		
1H	GC025010	1	Lever Assy, Control		
1I	GC025011	1	Seat, Spring		
1J	GC025012	1	Pin		
1K	GC025013	1	Spring, Plunger		
1L	GC025014	1	Seat, Spring		
2	GC025015	1	Valve Assy, Fuel Oil Cut		
3	GC025016	1	Gasket, Valve		



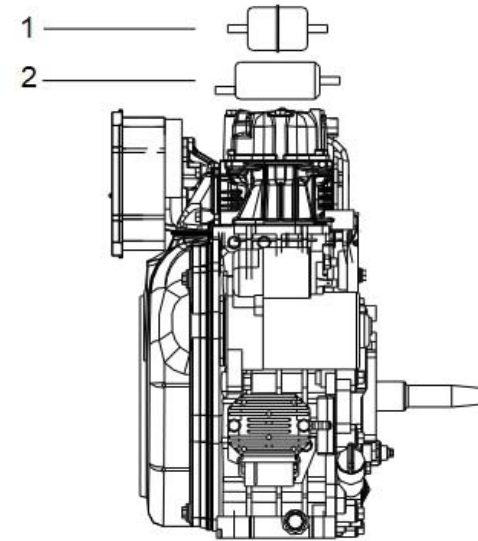
D_GTA1_4_4		Governor Parts			
FIG.	REF.	QTY	DESCR.	FROM	UPTO
1	GC029001	1	Regulato		
1A	GC029002	1	Handle		
1B	GC029003	1	Collar		
1C	GC029004	1	Spring		
1D	GC029005	1	Spring, Governor		
1E	GC029006	1	Nut		
1F	GC029007	1	Lever, Lock		
1G	GC029008	1	Collar		
1H	GC029009	1	Bracker, Governor		
1I	GC029010	1	Bolt M6x14		
1J	GC024001	1	Bolt M6x16		
1K	GC029011	1	Spring		
1L	GC021002	1	Bolt, M6x20		
2	GC023003	1	Lever Assy, Governor		
2A	GC023004	1	Washer		
2B	GC023002	2	Spacer		
2C	GC023005	1	Pin		
2D	GC023006	1	Washer		
2E	GC023007	1	Seal Oil		
3	GC023008	1	Nut M10		
4	GC023009	1	Nut		
5	GC023010	1	Wire		
6	GC023011	1	Fuel Limiter Bolt		



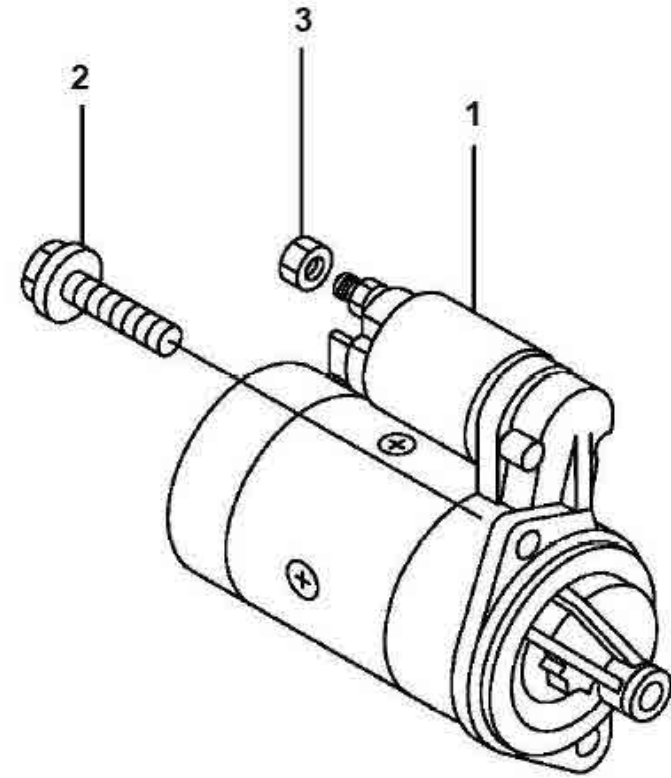
Fuel System, 4 GSCH v.2



D_GTA1_4_5		Fuel Supply Parts			
FIG.	REF.	QTY	DESCR.	FROM	UPTO
1	605B0212	1	Fuel Filter		
2	605B0267	1	Fuel Feeding Pump		



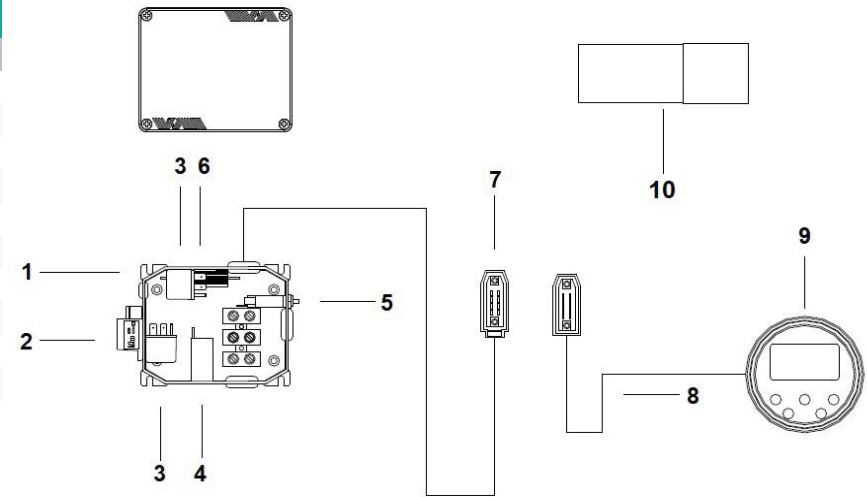
D_GTA1_5_3		Starter Assy			
FIG.	REF.	QTY	DESCR.	FROM	UPTO
1	GC027029	1	Starter Assy 12 V		
2	GC027020	2	Bolt M10x30		
3	GC027024	1	Nut M8		



Electrical System, 4 GSCH v.2



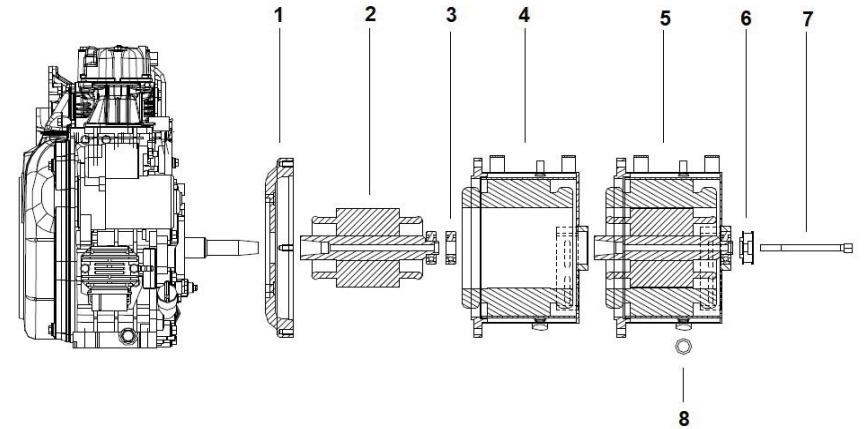
D_GTA1_5_5		Electrical Wiring			
FIG.	REF.	QTY	DESCR.	FROM	UPTO
1	GC028200	1	Electrical Plant		
2	GC027001	1	Battery Charger Regulator		
3	GC027005	2	Relay 12 V		
4	GC027002	1	Transformer		
5	GC027081	1	Termoswitch		
6	605B0247	1	Resistor R47		
7	GC020088	1	Connector, 8 Pins Female		
8	609C0231	1	Cable 15 m. SPA 20 4 GSCH v2		
9	609B0233S	1	SPA 20 4 GSCH Panel		
10	GC020041	1	Capacitor		



Alternator, 4 GSCH v.2



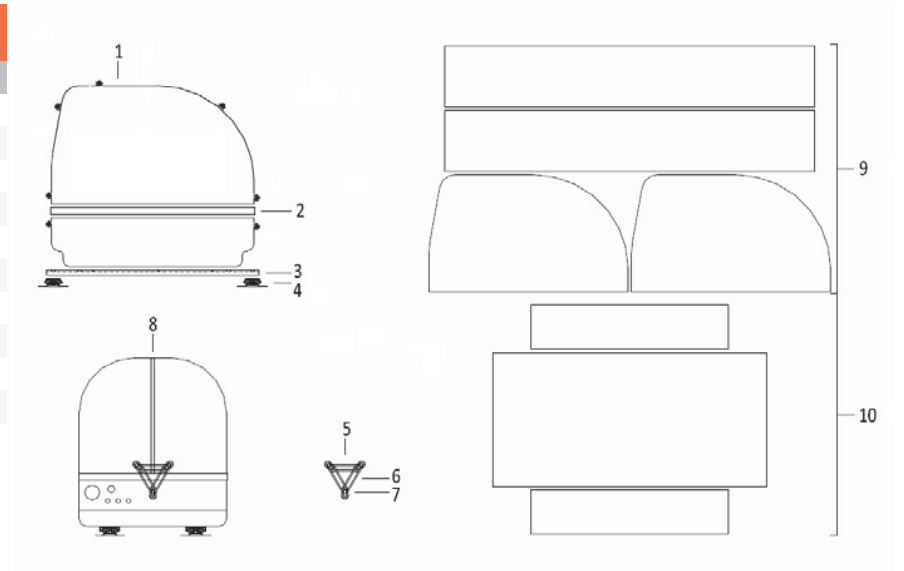
D_GTA1_6_1		Alternator			
FIG.	REF.	QTY	DESCR.	FROM	UPTO
1	GC020031	1	Flange, Alternator		
2	GC020032	1	Rotor, 4 GSCH v.2		
3	GC020033	1	Ball Bearing, Alternator		
4	GC020030	1	Stator, 4 GSCH v2		
5	GC020034	1	Alternator, 4 GSCH v.2		
6	GC020036	1	Pulley, Rotor		
7	GC020037	1	Bolt, Rotor		
8	GC020038	1	Washer		



Cabin 4 GSCH v.2



D_GTA1_7_1		Cabin			
FIG.	REF.	QTY	DESCR.	FROM	UPTO
1	GC029013	1	Capsule, 4 GSCH v2		
2	(*)	1	Not available [NP]		
3	GC029020	2	Chasis, 4 GSCH v2		
4	605B0034	4	External Rubber Mount		
5	605B0031	5	Closing Rubber Strip		
6	605B0030	4	Closing Rubber Strip		
7	605B0038	1	Hood Gasket Above		
8	605B0029	10	Hook		
9	GC029000	1	Upper Panels		
10	GC029012	1	Lower Pannels		



[NP] Not provided



Gasket Set, 4 GSCH v.2



D_GTA1_8_1 Gasket Set					
FIG.	REF.	QTY	DESCR.	FROM	UPTO
1	GC020101	1	Gasket Set		
2	GC020111	1	Head Gasket		
3	GC020014	1	O-Ring		
4	GC020040	1	Gasket, Case Gear		
5	GC020016	1	Gasket, Cover		
6	GC020004	2	O-Ring		
7	GC021010	1	Gasket, Rocker Cover		
8	GC022054	2	Seal		
9	GC020112	1	Nozzle Gasket		
10	GC021032	1	Gasket, Intake Manifold		
11	GC021021	2	Gasket, Air Filter		
12	GC020113	1	Air Cleaner Gasket		
13	GC023001	1	Gasket Exhaust Elbow		
14	GC020114	1	Gasket		
15	GC024004	1	O-Ring		
16	GC020115	1	Gasket		
17	GC020011	2	Washer		
18	GC020116	3	Gasket, 8x10		
19	GC020117	1	O-Ring		
20	GC024000	1	O-Ring		

