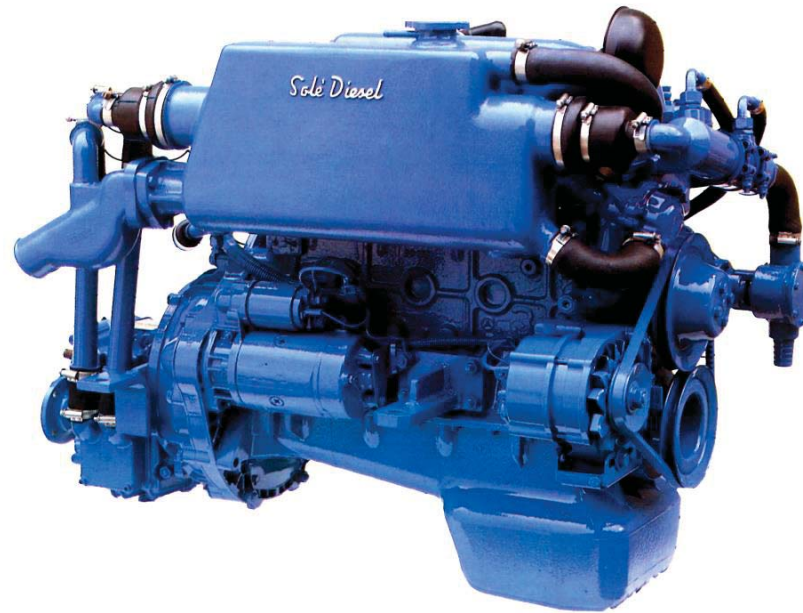




Engine MB-616
VERSION 2019-1
SPARE PARTS MANUAL



PARTS LIST CATALOGUE

NORMS TO PLACE AN ORDER:

For fast and more efficient service, please specify the following information on spare parts orders that must be preferably done by FAX or e-mail as specified below:

- 1- Engine model: As shown in identification plate
- 2- Engine serial number: As shown in identification plate and stamped on crankcase
- 3- Item description + part number + quantity required

Spare parts requests must be addressed to:

recambios@solediesel.com

Tel.: +34 93 775 44 05

Fax: +34 93 775 30 13

The components shown in the catalog have:

- Figure: Number by which they are represented in scheme
 - Description: Trade name of the component
 - Quantity: Total number of parts used in the assembly of the part represented (may differ from the total minimum quantities)
- Hoses, indicates the total length in meters

The diagrams shown in this catalog of spare parts, have only the purpose to identify the piece in question, its representation is not meaningful and may differ from the actual piece.

In case of doubt, contact Solé Diesel, or your authorized dealer.

The parts i / or references in this catalog are subject to change without notice.

[SOLÉ, S.A.](#)

C-243b, Km, 2 - P.O. BOX 15
08760 Martorell (Barcelona) Spain

Download the latest version of this manual [HERE](#)

Engine Body

Carter
Soportes de Motor

Refrigeración SM-616

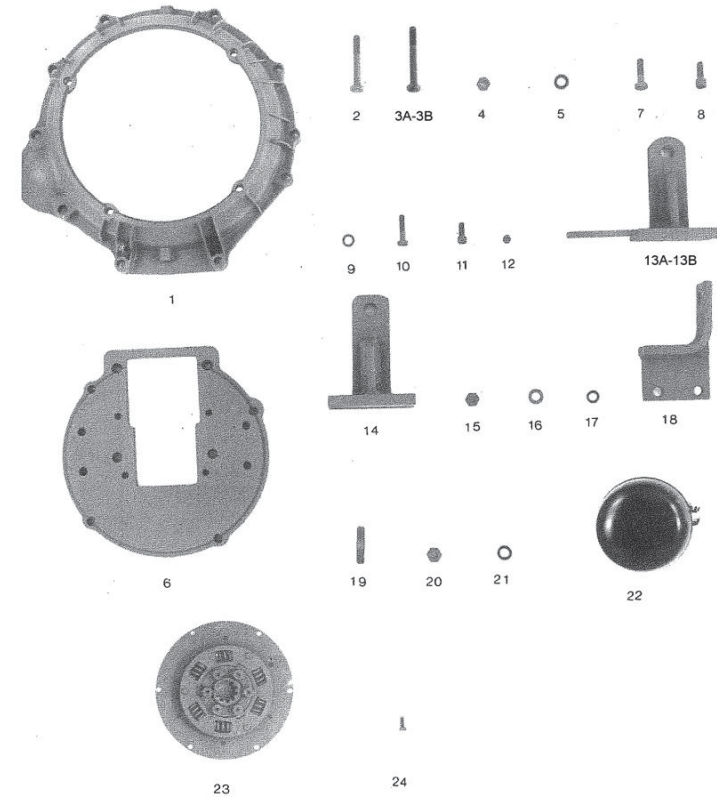
Bomba de Agua Dulce
Circuito Intercambiador
Cross Brace Pump from 74 to 616

Sistema Eléctrico SM-616

Instalación Eléctrica



D_MB16_1_12		Soportes de Motor			
FIG.	REF.	QTY	DESCR.	FROM	UPTO
1	15220001	1	Pack Flywheel Housing		
2	52101317	8	Bolt DIN 931 M10-70 8.8		
3	52101367	2	Bolt DIN 931 M12-70 12.9		
4	51120010	16	Nut DIN 934 M10 8.8		
5	51030010	18	Washer DIN 125-10		
6	15210010	1	Block, reverser connection		
7	52101310	3	Bolt DIN 931 M10-35 8.8		
8	52103308	1	Bolt DIN 912 M10-25 8.8		
9	53033010	22	Washer GROWER DIN 127-10		
10	52101260	4	Bolt DIN 931 M8-35 8.8		
11	52103257	2	Bolt DIN 912 M8-20 8.8		
12	52315303	1	Bolt DIN 551 W7/16-8 8.8 [NP] 1		
13	15210020		Bracket, front right [NP]		
14	15210021	1	Bracket, front left [NP]		
18	15110025	2	REAR MOUNT [NP]		
19	15110026	4	MOUNTING Stud		
20	52120012	4	Nut DIN 934 M12 8.8		
21	53033012	4	Washer GROWER DIN 127-12		
22	15310033	1	Air Filter		
23	14710070	1	Flexible Coupling Type A D. 185		
24	52102156	6	Bolt DIN 933 M6-16 8.8		
16		1	Oil Filter Element Mercedes		
16		1	Fuel Filter Element Mercedes 615/16		
16		1	Belt Type AX 38		

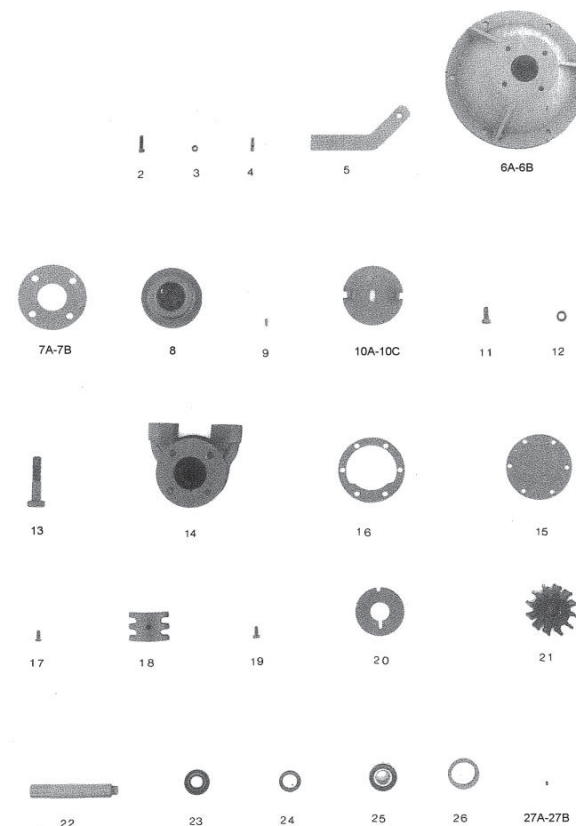


[NP] Not provided
 [NS] Not shown





D_MB16_3_1		Bomba de Agua Dulce			
FIG.	REF.	QTY	DESCR.	FROM	UPTO
2	51102106	1	Bolt DIN 933 M5-15 8.8		
3	52120005	1	Nut DIN 934 M5 8.8		
4	15110076	1	Clamp,cable		
5	15210073	1	Support,cable [NP]		
6A	15210075	1	Plate,water pump Coupling		
6B	15310075	1	Plate,water pump Coupling		
7A	15210076	1	Gasket		
7B	13310013	1	Gasket,water pump		
8	15210077	1	Coupling,drive		
9	15210078	3	Pin,Coupling [NP]		
10A	12810060	1	Spider [NP]		
10B	15210072	1	Spider		
10C	15310072	1	CrossHead Jaw Coupling		
11	52102156	4	Bolt DIN 933 M6-16 8.8		
12	51030006	4	Washer DIN 125-6		
13	35211000	1	Cross Brace Pump 3/4" Mercedes 615		
14	35211001	1	Body,pump water		
15	31211002	1	Cover Pump		
16	35211003	1	Gasket,cover		
18	35111005	1	Cam,impeller		
19	55307104	7	Bolt DIN 86 W3/16-10		
20	35211026	1	Plate,friction		
21	35111008	1	3/4" Impeller		
22	35211010	1	Shaft,pump water		
23	35111020	2	Seal 15,87-28,57-7,93		
24	35211013	1	Washer,centrifuge		
25	35211014	1	Ball Bearing 3202-2RS		
26	35211024	1	Ring,centering		
27A	34711017	1	Pin,Dowel		23/05/2017
27A	36511017	1	Pin,Dowel	23/05/2017	
27B	34711041	1	Impeller Plug		

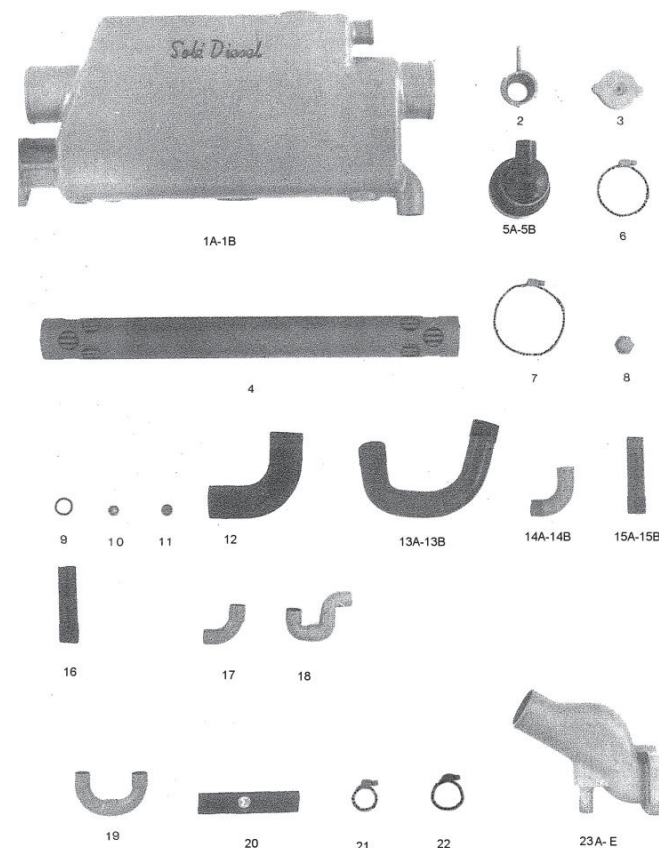


[NP] Not provided





D_MB16_3_2		Circuito Intercambiador			
FIG.	REF.	QTY	DESCR.	FROM	UPTO
1A	15211000	1	Water Cooler Assy SM-615/616		
1B	15211001	1	Body, Water Cooler [NP]		
2	15111002	1	Cap Mouth		
3	14711003	1	Cap [NP]		18/01/2017
3	14711003.1	1	Cap	19/01/2017	
4	15211004	1	Tubular Bundle		
5A	15111007	2	Water Cooler Cover		
5B	15311007	2	Water Cooler Cover		
6	54081050	2	Clamp DIN 3017 50-70/9 W4		
7	54081070	2	Clamp DIN 3017 70-90/12 W4		
8	13111039	1	Plug,taper		
9	56000083	1	Washer 21-26-1,5		
10	55120010	6	Nut DIN 934 M10		
11	15211010	1	Plug TAPER 3/8		
12	15311026	1	Elbow,bronze engine water inl. [NP]		
12C	13211057	1	Rubber		
13A	15211027	1	Elbow,engine water exhaust		
13B	13511022	1	Hose Assy,water		
14A	15111036	1	Pump Water Outlet Bend		
14B	14711029	1	Pipe		
15A	15211045	1	SLEEVE,pump water discharge		
15B	60151007	1	Hose Connection 1" x 27 [NP]		02/08/2017
15B	60371058	1	Hose Connection 1" x 27	02/08/2017	
16	15311045	1	Pipe 18-25-85 [NP]		28/03/2017
17	15311046	1	Elbow,copper cooler inlet [NP]		
18	15311047	1	Elbow,oil cooler to exchanger [NP]		
19	15111049	1	Hose,exhaust cooler [NP]		
20	15211053	1	Pipe 38-50-100		
21	54082080	1	Clamp DIN 3017 80-100/12 W4		
22	54082025	1	Clamp DIN 3017 25-40/12 W4		
23A	15213015	1	Elbow,wet exhaust		
23B	15213016	1	SLEEVE		
23C	14711028	1	Elbow N°4		
23D	15313015	1	Elbow,wet exhaust		

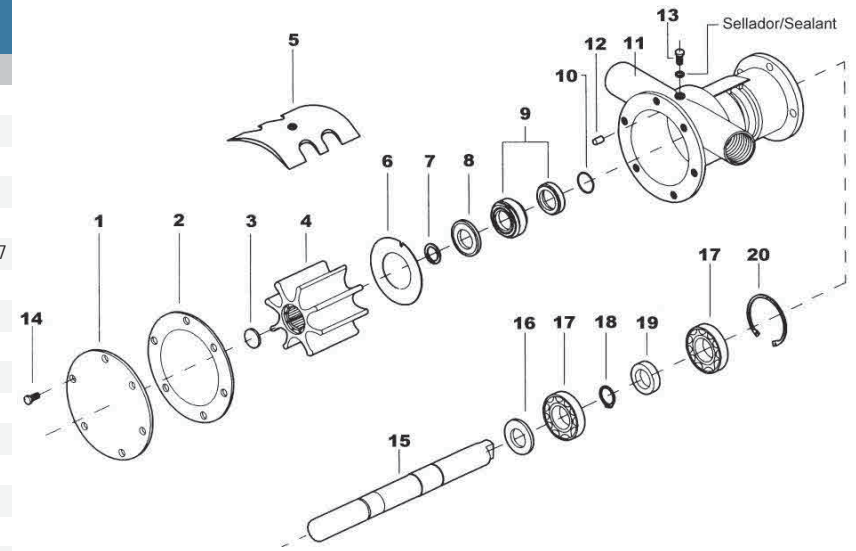


[NP] Not provided





36511000 Cross Brace Pump from 74 to 616					
FIG.	REF.	QTY	DESCR.	FROM	UPTO
1	34711002	1	Cover Pump		
2	34711003	1	Gasket Cover		
3	34711041	1	Impeller Plug		
4	34711008	1	1" Impeller		
5	34711005	1	Cam		
5	37811005	1	Cam 6,5 mm	23/05/2017	25/09/2017
6	34711026	1	Plate,Friction		
7	54040016	1	CIRClip E-16		
8	36511018	1	Washer,seal		
9	36511019	1	Seal		
10	33311013	1	O-Ring D. 15X2		
11	36511001	1	Body,water pump		
12	36511017	1	Pin,Dowel	18/05/2007	
13	54108154	1	Bolt DIN 84 M6-10		
14	54102154	6	Bolt DIN 933 M6-10 INOX		
15	36511010	1	Shaft,pump		
16	36511015	1	Spacer 17X24X7		
17	33311014	2	Ball Bearing 6203		
18	53040017	1	Circlip DIN 471 E-17		
19	36511020	1	Seal 16-30-7		
20	53041040	1	Circlip DIN 472 I-40		





D_MB16_5_5		Instalación Eléctrica			
FIG.	REF.	QTY	DESCR.	FROM	UPTO
1	60951001	1	Panel		
1-20	60952000	1	Panel SM-615/616 [NP]		
2	60953711	1	TACHOMETER SM-615y616		
3	60900815	1	Thermometer MT 12V		
4A	60900031	1	Key-Locking Switch		
4B	60900035	1	Cover,key		
5	60900040	1	Pushbutton Stop [NP]		13/07/2017
5	60900049	1	Pushbutton Stop [NP]	13/07/2017	
6	60900045	3	Bulb 12V 3W Connector B		
7	60900051	1	LAMP, charge		
8	60900050	1	LAMP, oil press.		
9	60900052	1	LAMP, water temp.		
10	60900060	1	Alarm, SWITCH		
11	60951095	1	LAMP, glow [NP]		
12	55108102	2	Bolt DIN 84 M5-7		
13	53033005	2	Washer GROWER DIN 127-5		
14	60951121	1	Gear Fuse		
15	60951117	1	Fuse 50A.		
16	60900115	2	Fuse 3 A.		
17	60900110	2	DIODE 3 A.		
18	58088271	3	Pastic Cable Zip Tie [NP]		
20	58088272	1	Pastic Cable Zip Tie [NP]		



1-20



2



3



4A-4B



5



6



7



8



9



10



11



12



13



14



15



16



17



18



19



20

[NP] Not provided

