

MARINE GENERATORS

G-25M-3

Single-Phase

General data

Maximum power (2)	25 kW (25 kVA)	Voltage	230 V
Prime Power (3)	22.7 kWe	Amperage	108.7 A
Frequency	50 Hz	Phases	1

Dimensions and weights

Total length without canopy	1213 mm	Total length with canopy	-
Total width without canopy	560 mm	Total width with canopy	-
Total height without canopy	619 mm	Total height with canopy	-
Dry weight without canopy	335 Kg	Dry weight with canopy	-

Engine

Base engine manufacturer	Mitsubishi	Diameter	78 mm (3.07 in)
Model	MINI-44	Stroke	92 mm (3.62 in)
Type	Diesel, 4 stroke	Compression ratio	22:1
Engine RPM	3000	Injection system	Mechanical and indirect
Number of cylinders	4	Intake system	Naturally aspirated
Total displacement	1758 cc	SAE Flywheel housing	SAE 5
Oil	SAE 15W40	Coolant capacity	8 L (2.11 gal)
Oil capacity	6 L (1.59 gal)	Flywheel	SAE 7 1/2
Power (1)	30.9 kW (42.02 CV)	Coolant flow rate	100 l/min (26.42 gal/m)
Salt water flow rate	33 l/min (8.72 gal/m)	Intake air flow rate	2.2 m3/m
Exhaust type	Wet exhaust elbow	V-Belt Protection	Optional

(1) Rating conditions according to ISO 3046 (100 kPa barometric pressure, 30 % relative humidity and 25 °C (77 ° F))

(2) Maximum output power: maximum power supplied by the genset at full load

(3) Prime Power: rated power according to ISO 3046 and ISO 8528-1. 10 % overload capacity one hour in twelve hours.
1 kW = 1,36 CV 1 kW = 1,36 HP (metric) 1 kW = 1,36 CH

Fuel system details

Consumption 25%	3.6 l/h (0.95 gal)	Fuel type	Diesel
Consumption 50%	5.1 l/h (1.35 gal)	Fuel standards	Fueloil diesel ASTM
Consumption 75%	6.5 l/h (1.72 gal)	Injection pump type	In line
Consumption 100%	7.8 l/h (2.06 gal)	Governor type	Mechanical

Electrical system

Battery voltage	12 V	Stop solenoid type	ETR
Starter motor	2 kW	Alternator	50 A
Earth isolated	Optional	IP 65 box kit	Optional
SCO 11 double panel	Optional	Current transformers	Optional

Installation details

Exhaust hose inner diameter	50 mm (1.97 in)	Maximum fuel lift height	0.3 m (0.98 ft)
Sea water hose inner diameter	20 mm (0.79 in)	Maximum raw water lift height	2.5 m (98.43 in)
Fuel feeding hose inner diameter	8 mm (0.31 in)	Maximum sea water temperature	32 ° (89.6 °F)
Fuel return hose inner diameter	5 mm (0.2 in)	Maximum installation angle (6)	15 °
Minimum battery capacity	12 V 80 Ah		

Alternator details

Brand	Meccalte	Cos Phi	1
Model	ECP28 2L 2	Tropicalized	Yes
Regulator type	DSR	Excitation system	Brushless
Number of poles	2	Voltage regulation accuracy (5)	1%
Isolation type (4)	H	Alternator type	Synchronous
IP protection	23	Standards	EN60034-1, IEC 60034-1

Standard equipment

4 m electrical wiring extension	SCO 5 control panel
Oil extraction pump	Owner's and alternator manual
Rigid bed	Packaging
Anti Vibration Mounts	

Optional accessories

Siphon break kit mandatory if generator is below waterline	Wet Exhaust System
Engine electrical system at 24 V	Water Filters
Service/Cruise Kits: fuel and oil filters, raw water pump, impeller, alternator belt,...	Sea water cock
Dry Exhaust system	Welcome Kit

(4) Other protections available

(5) With load from 0 to 100%, speed variation from -2% up to +5%, power factor 0,8 linear and balanced load.

(6) In all directions

For other requirements please contact the Sales Dept.

SCO 11 Panel



General Description

Graphic LCD with light, 128 x 64 pixels display
Genset measures (see Display Information)
Configuration protected by user and password
Running hour indication
Multilingual
Event history log
Genset protections (see Alarm Management)
Preheating function
D+ pre-excitation Terminal
Built-in PLC function
CAN bus information with SAE J1939 protocol
Maintenance hours control
Dimensions 195 x 135 x 47 mm
Panel cut-out 172 x 112 mm
Weight 450 g

Alarm Management

Shutdown (SD)
Low/High Speed
Overload*
Short Circuit*
Overcurrent*
High/Low Voltage
High/Low Frequency
Emergency Stop
Warnings (WRN)
High engine coolant temperature
Low oil pressure
High/Low Battery Voltage
Maintenance warning
Sensor failure detection (FLS)
MCU Alarm

Operating modes

OFF Mode	AUT Mode (auto start/stop engine)
MAN Mode (manual start/stop engine)	

Power Supply

Voltage supply 12/24 DC with fuse protection
Consumption 80mA (12V) or 51 (24V)

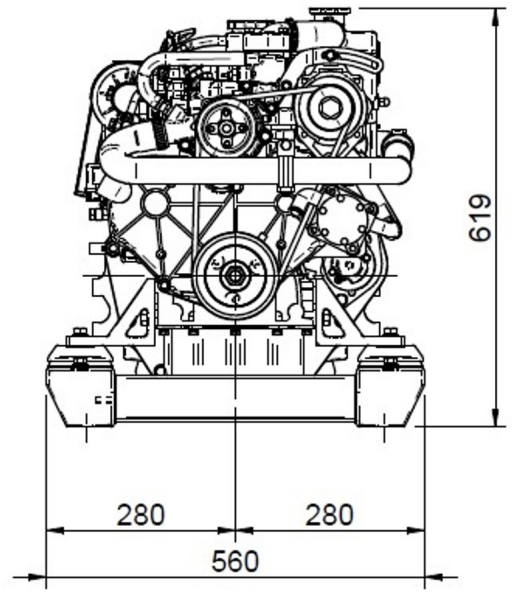
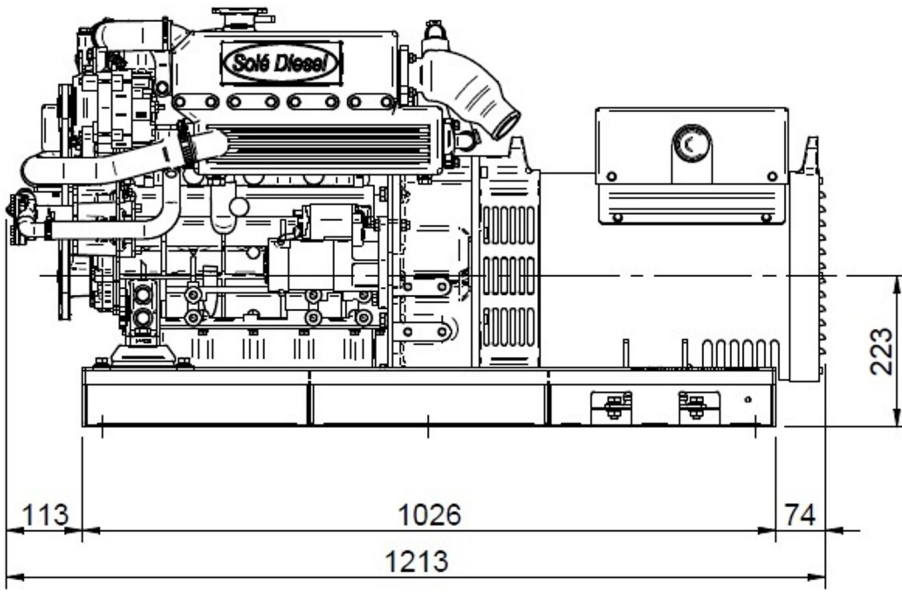
Operating Conditions

Operating temperature -20+70 °C
Humidity 95 % without condensation
Front Panel Protection IP65
Standard Conformity
EN 61000-6-2, EN 61000-6-4, EN 61010-1
EN 60068-2-6 (2±25 Hz / ±1,6 mm; 25±100 Hz / 4.0 g)
EN 60068-2-30:2005 25/55°C, RH 95%, 48hours
EN 60529 (front panel IP65, back side IP20)

Display Information

Measurement
L1-L3 Voltage (V)
Frequency (Hz)
Oil Pressure (bar)
Coolant Temperature (°C)
Battery Voltage (V)
RPM
Power* (kW)
Apparent Power* (kVA)
Current* (A)
PF*
Historical Log
Alarm History

Dimensions



Authorized dealer