

## MARINE GENERATORS

# G-25T-3

Three-Phase

### General data

<b>Maximum power (2)</b>	20 kW (25 kVA)	<b>Voltage</b>	400/230 V
<b>Prime Power (3)</b>	18.2 kWe	<b>Amperage</b>	36.1 A
<b>Frequency</b>	50 Hz	<b>Phases</b>	3

### Dimensions and weights

<b>Total length without canopy</b>	1213 mm	<b>Total length with canopy</b>	-
<b>Total width without canopy</b>	560 mm	<b>Total width with canopy</b>	-
<b>Total height without canopy</b>	619 mm	<b>Total height with canopy</b>	-
<b>Dry weight without canopy</b>	335 Kg	<b>Dry weight with canopy</b>	-

### Engine

<b>Base engine manufacturer</b>	Mitsubishi	<b>Diameter</b>	78 mm (3.07 in)
<b>Model</b>	MINI-44	<b>Stroke</b>	92 mm (3.62 in)
<b>Type</b>	Diesel, 4 stroke	<b>Compression ratio</b>	22:1
<b>Engine RPM</b>	3000	<b>Injection system</b>	Mechanical and indirect
<b>Number of cylinders</b>	4	<b>Intake system</b>	Naturally aspirated
<b>Total displacement</b>	1758 cc	<b>SAE Flywheel housing</b>	SAE 5
<b>Oil</b>	SAE 15W40	<b>Coolant capacity</b>	8 L (2.11 gal)
<b>Oil capacity</b>	6 L (1.59 gal)	<b>Flywheel</b>	SAE 7 1/2
<b>Power (1)</b>	30.9 kW (42.02 CV)	<b>Coolant flow rate</b>	100 l/min (26.42 gal/m)
<b>Salt water flow rate</b>	33 l/min (8.72 gal/m)	<b>Intake air flow rate</b>	2.2 m3/m
<b>Exhaust type</b>	Wet exhaust elbow	<b>V-Belt Protection</b>	Optional

(1) Rating conditions according to ISO 3046 (100 kPa barometric pressure, 30 % relative humidity and 25 °C (77 ° F))

(2) Maximum output power: maximum power supplied by the genset at full load

(3) Prime Power: rated power according to ISO 3046 and ISO 8528-1. 10 % overload capacity one hour in twelve hours.  
1 kW = 1,36 CV 1 kW = 1,36 HP (metric) 1 kW = 1,36 CH

## Fuel system details

<b>Consumption 25%</b>	3.6 l/h (0.95 gal)	<b>Fuel type</b>	Diesel
<b>Consumption 50%</b>	5.1 l/h (1.35 gal)	<b>Fuel standards</b>	Fueloil diesel ASTM
<b>Consumption 75%</b>	6.5 l/h (1.72 gal)	<b>Injection pump type</b>	In line
<b>Consumption 100%</b>	7.8 l/h (2.06 gal)	<b>Governor type</b>	Mechanical

## Electrical system

<b>Battery voltage</b>	12 V	<b>Stop solenoid type</b>	ETR
<b>Starter motor</b>	2 kW	<b>Alternator</b>	50 A
<b>Earth isolated</b>	Optional	<b>IP 65 box kit</b>	Optional
<b>SCO 11 double panel</b>	Optional	<b>Current transformers</b>	Optional

## Installation details

<b>Exhaust hose inner diameter</b>	50 mm (1.97 in)	<b>Maximum fuel lift height</b>	0.3 m (0.98 ft)
<b>Sea water hose inner diameter</b>	20 mm (0.79 in)	<b>Maximum raw water lift height</b>	2.5 m (98.43 in)
<b>Fuel feeding hose inner diameter</b>	8 mm (0.31 in)	<b>Maximum sea water temperature</b>	32 ° (89.6 °F)
<b>Fuel return hose inner diameter</b>	5 mm (0.2 in)	<b>Maximum installation angle (6)</b>	15 °
<b>Minimum battery capacity</b>	12 V 80 Ah		

## Alternator details

<b>Brand</b>	Meccalte	<b>Cos Phi</b>	0,8
<b>Model</b>	ECP-28 2L/2	<b>Tropicalized</b>	Yes
<b>Regulator type</b>	DSR	<b>Excitation system</b>	Brushless
<b>Number of poles</b>	2	<b>Voltage regulation accuracy (5)</b>	1%
<b>Isolation type (4)</b>	H	<b>Alternator type</b>	Synchronous
<b>IP protection</b>	23	<b>Standards</b>	EN60034-1, IEC 60034-1

## Standard equipment

4 m electrical wiring extension	SCO 5 control panel
Oil extraction pump	Owner's and alternator manual
Rigid bed	Packaging
Anti Vibration Mounts	

## Optional accessories

Siphon break kit mandatory if generator is below waterline	Wet Exhaust System
Engine electrical system at 24 V	Water Filters
Service/Cruise Kits: fuel and oil filters, raw water pump, impeller, alternator belt,...	Sea water cock
Dry Exhaust system	Welcome Kit

(4) Other protections available

(5) With load from 0 to 100%, speed variation from -2% up to +5%, power factor 0,8 linear and balanced load.

(6) In all directions

For other requirements please contact the Sales Dept.

# SCO 11 Panel



## General Description

Graphic LCD with light, 128 x 64 pixels display
Genset measures (see Display Information)
Configuration protected by user and password
Running hour indication
Multilingual
Event history log
Genset protections (see Alarm Management)
Preheating function
D+ pre-excitation Terminal
Built-in PLC function
CAN bus information with SAE J1939 protocol
Maintenance hours control
Dimensions 195 x 135 x 47 mm
Panel cut-out 172 x 112 mm
Weight 450 g

## Alarm Management

Shutdown (SD)
Low/High Speed
Overload*
Short Circuit*
Overcurrent*
High/Low Voltage
High/Low Frequency
Emergency Stop
Warnings (WRN)
High engine coolant temperature
Low oil pressure
High/Low Battery Voltage
Maintenance warning
Sensor failure detection (FLS)
MCU Alarm

## Operating modes

OFF Mode	AUT Mode (auto start/stop engine)
MAN Mode (manual start/stop engine)	

## Power Supply

Voltage supply 12/24 DC with fuse protection
Consumption 80mA (12V) or 51 (24V)

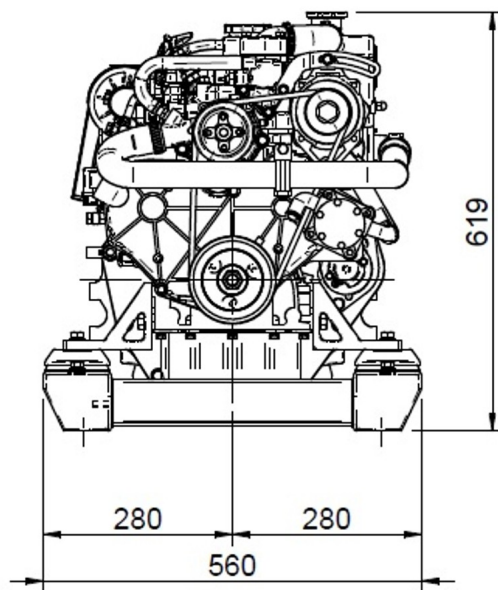
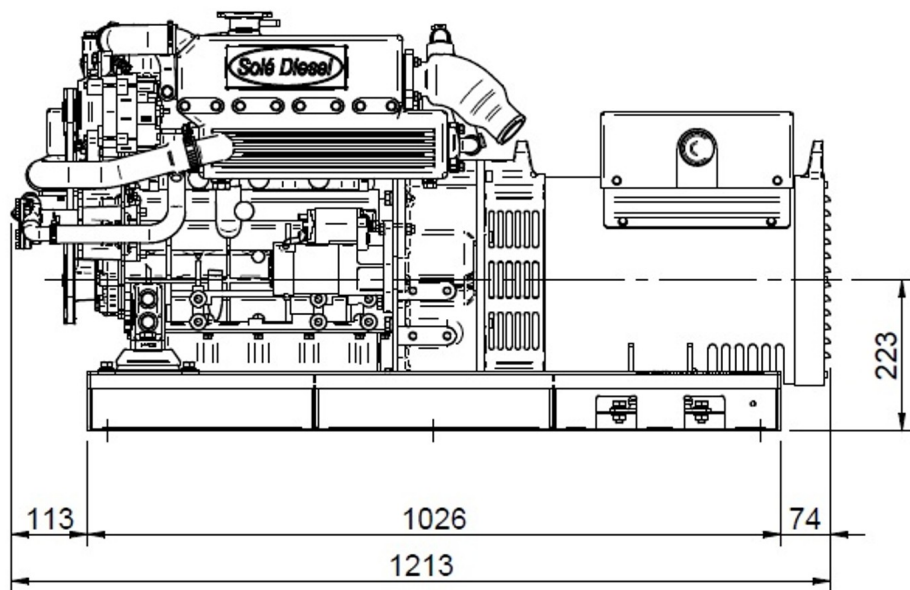
## Operating Conditions

Operating temperature -20+70 °C
Humidity 95 % without condensation
Front Panel Protection IP65
Standard Conformity
EN 61000-6-2, EN 61000-6-4, EN 61010-1
EN 60068-2-6 (2±25 Hz / ±1,6 mm; 25±100 Hz / 4.0 g)
EN 60068-2-30:2005 25/55°C, RH 95%, 48hours
EN 60529 (front panel IP65, back side IP20)

## Display Information

Measurement
L1-L3 Voltage (V)
Frequency (Hz)
Oil Pressure (bar)
Coolant Temperature (°C)
Battery Voltage (V)
RPM
Power* (kW)
Apparent Power* (kVA)
Current* (A)
PF*
Historical Log
Alarm History

## Dimensions



Detailed drawings, brochures and manuals are available on the web [soleadvance.com](http://soleadvance.com).  
Technical specifications, data and presentation are subjected to variations, changes and updates without prior notice.  
Non-contractual information.

CERTIFIED  
ISO 9001



Authorized dealer