

4 GSCH V2

Single-Phase



General data

Maximum power*:	4 kW (4 kVA)	Voltage:	230 V
Prime Power**:	3,6 kW	Amperage:	17,4 A
Frequency:	50 Hz	Phases:	1

Dimensions and weights

Total length without sound shield:	-	Total length with sound shield:	625 mm
Total width without sound shield:	-	Total width with sound shield:	433 mm
Total height without sound shield:	-	Total height with sound shield:	535 mm
Dry weight without sound shield:	-	Dry weight with sound shield:	83 Kg

Engine

Base engine manufacturer:	Yanmar	Diameter:	78 mm (3,07 in)
Model Solé Diesel:	Yanmar	Stroke:	67 mm (2,64 in)
Type:	4 stroke	Compression ratio:	20:1
Engine RPM:	3000	Injection system:	Mechanical and direct
Number of cylinders:	1	Intake system:	Naturally aspirated
Total displacement:	320 cc	Flywheel housing:	-
Oil type:	SAE 15W40	Coolant capacity:	-
Oil capacity:	1,1 L (0,29 gal)	Flywheel:	-
Power:	4,5 kW (6,12 CV)	Coolant flow rate:	-
Salt water flow rate:	-	Intake air flow rate:	-

Rating conditions according to ISO 3046 (100 kPa barometric pressure, 30 % relative humidity and 25 °C (77° F))

* Maximum Output Power: maximum power supplied by the genset at full load.

** Prime Power: Rated Power according to ISO 3046 and ISO 8528-1. 10 % overload capacity one hour in twelve hours.

1 kW \cong 1,36 CV 1 kW \cong 1,36 HP (metric) 1 kW \cong 1,36 CH

Fuel system details

Consumption at 25 %:	0,4 L/H (0,11 Gal/H)	Fuel type:	Diesel
Consumption at 50 %:	0,7 L/H (0,18 Gal/H)	Fuel standards:	Fueloil diésel ASTM
Consumption at 75 %:	1,1 L/H (0,29 Gal/H)	Injection pump type:	-
Consumption at 100 %:	1,4 L/H (0,37 Gal/H)	Governor type:	Mechanical

Electrical system

Battery voltage:	12 V	Stop solenoid type:	ETS
Starter motor:	1,2 kW	Alternator:	-

Installation details

Exhaust hose diameter:	40 mm (1,57 in)	Maximum fuel lift height:	1 m (3,28 ft)
Sea water hose diameter:	13 mm (0,51 in)	Maximum raw water lift height:	-
Fuel feeding hose diameter:	8 mm (0,31 in)	Maximum sea water temperature:	32 °C (32 °F)
Fuel return hose diameter:	8 mm (0,31 in)	Maximum installation angle***:	-
Minimum battery capacity:	12 V 60 A/h		

Alternator details

Brand:	V.T.E	Cos φ:	1
Model:	VO90	Tropicalized:	S
Regulator type:	CAPACITOR	Excitation system:	BRUSHLESS
Number of poles:	2	Voltage regulation accuracy**:	1
Isolation type*:	-	Standards:	EN60034-1, IEC 60034-1, ISO 8528-3
IP protection*:	-	Alternator type:	Synchronous

Optional accessories

Siphon break kit mandatory if generator is below waterline	Keel Cooling conversion for dry and wet exhaust
Engine electrical system at 24V	Double walled pipes and alarm kit
Service/Cruise Kits: fuel and oil filters, raw water pump, impeller, alternator belt,...	Low coolant level shut down switch
Dry Exhaust system	Fuel filter/water separator
Exhaust System	Gas/Water Separator
Water Filters	Fuel Hose
Sea water cock	Exhaust Hose
Welcome Kit	Raw water hose



* Other protections available

** With load from 0 to 100%, speed variation from -2% up to +5%, power factor 0,8 linear and balanced load.

*** In all directions

For other requirements please contact the Sales Dept.

SPA 20 4 GSCH Panel



General description

Power supply

Operating conditions

Alarm management

Display information

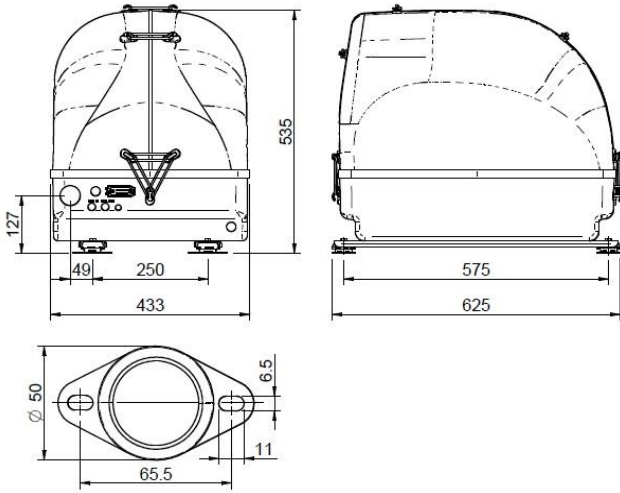
Optional equipment

Function description



* The specified function needs the current transformers (Optional Equipment) for showing the information in SCO 10 panel display.

Dimensions



Authorized Dealer

www.solediesel.com
info@solediesel.com

Detailed drawings, brochures and manuals are available on the web [solediesel.com](http://www.solediesel.com). All rights reserved. Technical specifications, data and presentation are subjected to variations, changes and updates without prior notice. Non-contractual information.