



MARINE ENGINE

MINI-29

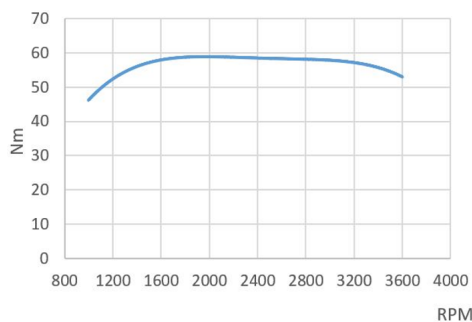
3 cylinders In line 27.0 CV (20 kW) 3600 Max RPM

Technical specifications

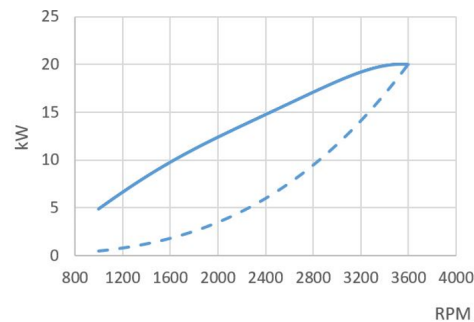
Base engine manufacturer	Mitsubishi
Type	Diesel, 4 stroke
Number of cylinders	3, In line
Intake system	Naturally aspirated
Bore x Stroke	76 mm x 70 mm (2.99 in x 2.76 in)
Total displacement	952 cc
Compression ratio	22:1
Intermittent power ^{SN_ (ISO3046/1)}	27.0 CV (20 kW)
Continuous power	24.0 CV (18 kW)
Max RPM	3600
Injection system	Mechanical and indirect
Starter motor	12 V (1.2 kW)
Alternator	75 A (12 V)
Maximum operating angle	25 °
Rotation (viewed from flywheel side)	Counterclockwise
Cooling system	Sea water heat exchanger and coolant closed circuit
Dry weight without gearbox	118 Kg (260.1 lb)
Sea water hose inner diameter	20 mm (0.79 in)
Fuel feeding hose inner diameter	8 mm (0.31 in)
Fuel return hose inner diameter	5 mm (5 in)
Exhaust hose inner diameter	50 mm (1.97 in)
Certifications and emissions	-
Emission compliance	EU: RCD II (DIR. 2013/53/EU), BSO II, UKCA

Performance curves

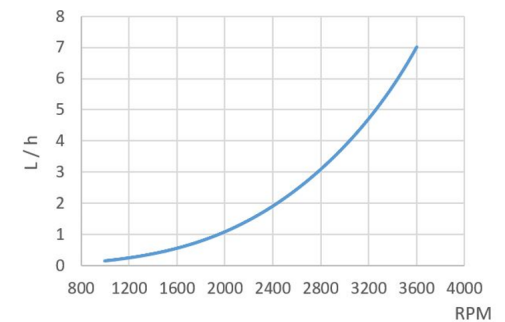
Crankshaft torque



Power (ISO 3046/1)



Fuel consumption



Panel



Dimensions: 180 x 140mm

Panel SSG 20 12V White Standard

Revolution counter with multifunction display
Coolant temperature and oil pressure indicator
Voltage indicator and battery charge fault
High coolant temperature alarm
Low oil pressure alarm
Preheating indicator
Front IP65 protection and anti-fog glass
5-position key



Dimensions: 255 x 160mm

Panel SSG 30 Panel 12V White Optional

Revolution counter with multifunction display
Coolant temperature and oil pressure gauge
Voltage indicator and battery charge fault
High coolant temperature alarm
Low oil pressure alarm
Preheating indicator
Front IP65 protection and anti-fog glass
5-position key

Accessories

Standard equipment

Instrument panel SSG 20
3 m electrical extension lead
Anti Vibration Mounts
Oil extraction pump
Owner's manual and spare parts manual

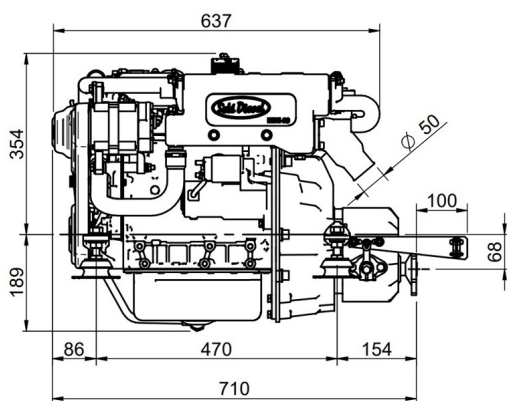
Optional equipment & kits

SSG 30 panel
Twin instrument panel installation
Twin alternator
Earth isolated electrical system
Dry exhaust system
Keel cooling
Power takeoff shaft or pulley
Calorfier Connections
Drivetrain: propeller, shaft, stern tube
Water and fuel filters
Water, exhaust and diesel fuel hoses

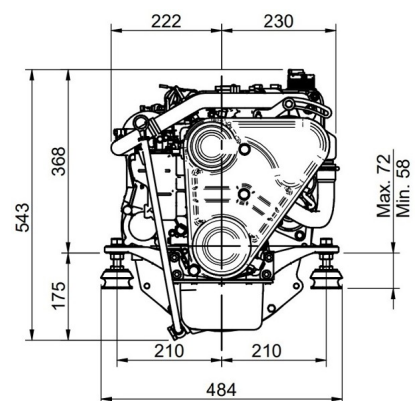
Gearboxes

Model	Type	Output °	Reductions (light Duty)	Reductions (heavy Duty)	Engine weight w/gbox
SP 60	Mechanical	0°	2.15:1-2.38:1	-	163 Kg (360 Lbs)
TM-345	Hydraulic	0°	2.00:1-2.47:1	2.00:1-2.47:1	145 Kg (319 Lbs)
TM-345A	Hydraulic	8°	2.00:1-2.47:1	2.00:1-2.47:1	145 Kg (319 Lbs)
TMC-40P	Mechanical	0°	1.45:1-2.00:1-2.60:1	1.45:1-2.00:1	128 Kg (284 Lbs)
TMC-60A	Mechanical	7°	2.00:1-2.45:1	2.00:1-2.45:1	133 Kg (295 Lbs)
TMC-60P	Mechanical	0°	1.55:1-2.00:1-2.45:1	1.55:1-2.00:1-2.45:1	133 Kg (295 Lbs)
ZF 15 MIV	Mechanical	15°	2.13:1	2.13:1	140 Kg (308 Lbs)

Dimensions



MINI-29 v6 Engine TMC-40P 2.00:1 Gbox.



Detailed drawings, brochures and manuals are available on the web soleadance.com. All rights reserved. Technical specifications, data and presentation are subjected to variations, changes and updates without prior notice. Non-contractual information.



Authorized dealer