

MARINE ENGINE

# SDZ-205

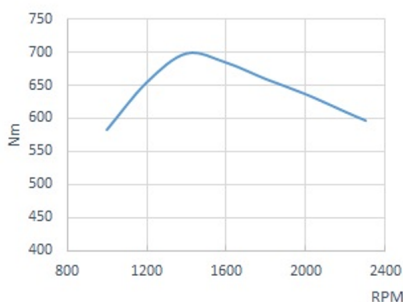
6 cilindros En línea 196.0 CV (143.9 kW) 2300 R. P. M.

## Technical specifications

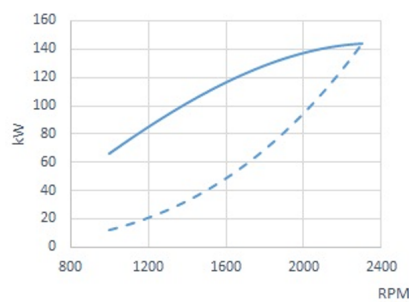
|   |   |
|---|---|
| Base engine manufacturer                      | Deutz   |
| Type  | Diesel, 4 stroke                                    |
| Number of cylinders                           | 6, In line  |
| Intake system                                 | Turbocharged  |
| Bore x Stroke                                 | 108 mm x 130 mm (4.25 in x 5.12 in)                 |
| Total displacement                            | 7146 cc   |
| Compression ratio                             | 17.5:1  |
| Intermittent power <sub>SN_ (ISO3046/1)</sub> | 196.0 CV (143.9 kW)                                 |
| Continuous power                              | 176.0 CV (129.5 kW)                                 |
| Max RPM                                       | 2300  |
| Injection system                              | Mechanical and direct                               |
| Starter motor                                 | 24 V (4 kW)   |
| Alternator                                    | 55 A (24 V)   |
| Maximum operating angle                       | 10 °  |
| Rotation (viewed from flywheel side)          | Counterclockwise                                    |
| Cooling system                                | Sea water heat exchanger and coolant closed circuit |
| Dry weight without gearbox                    | 650 Kg (1433.0 lb)                                  |
| Sea water hose inner diameter                 | 42 mm (1.65 in)                                     |
| Fuel feeding hose inner diameter              | 12 mm (0.47 in)                                     |
| Fuel return hose inner diameter               | 12 mm (12 in)                                       |
| Exhaust hose inner diameter                   | 125 mm (4.92 in)                                    |
| Certifications and emissions                  | -   |
| Emission compliance                           | NON EMISSION  |

## Performance curves

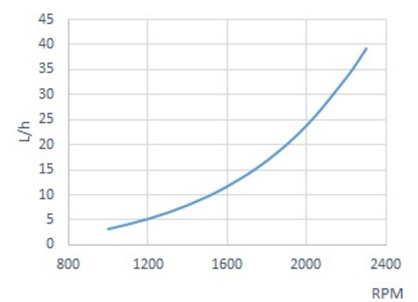
Crankshaft torque



Power (ISO 3046/1)



Fuel consumption



## Panel



Dimensions: 255 x 160mm

### Panel SSG 30 Panel 24V White Standard

Revolution counter with multifunction display

Coolant temperature and oil pressure gauge

Voltage indicator and battery charge fault

High coolant temperature alarm

Low oil pressure alarm

Preheating indicator

Front IP65 protection and anti-fog glass

5-position key

## Accessories

### Standard equipment

Instrument panel SSG 30

4 m electrical extension lead

Oil extraction pump

Owner's manual and spare parts manual

### Optional equipment & kits

Twin instrument panel installation

Twin alternator

Earth isolated electrical system

Dry exhaust system

Keel cooling

Power takeoff shaft or pulley

Calorfier Connections

Drivetrain: propeller, shaft, stern tube

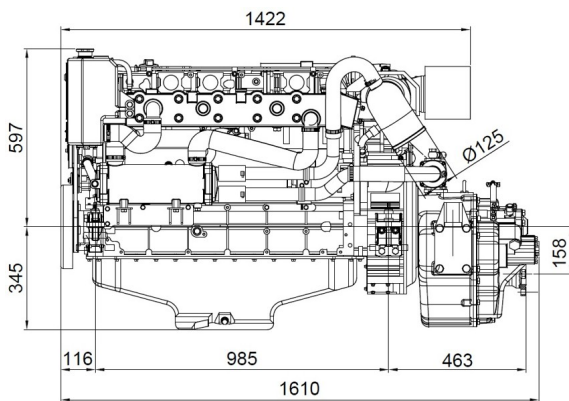
Water and fuel filters

Water, exhaust and die

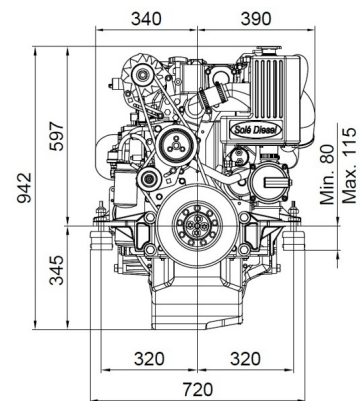
## Gearboxes

| Model     | Type      | Output ° | Reductions (light Duty) | Reductions (heavy Duty)            | Engine weight with gearbox |
|-----------|-----------|----------|-------------------------|------------------------------------|----------------------------|
| DMT-100HL | Hydraulic | 0°       | -                       | 4.07:1-4.50:1-4.95:1-5.29:1-5.95:1 | 926 Kg (2042 Lbs)          |
| TM-1200A  | Hydraulic | 7°       | 2.30:1                  | 2.30:1                             | 776 Kg (1711 Lbs)          |
| TM-170    | Hydraulic | 0°       | 1.50:1-2.04:1           | -                                  | 735 Kg (1621 Lbs)          |
| TM-200B   | Hydraulic | 0°       | -                       | 3.60:1-4.48:1                      | 898 Kg (1979 Lbs)          |
| TM-880A   | Hydraulic | 10°      | 1.53:1-2.08:1           | -                                  | 714 Kg (1574 Lbs)          |

## Dimensions



SDZ-205 24V Engine TM-265 2.09:1 Gbox.CF



Authorized dealer



Detailed drawings, brochures and manuals are available on the web [soleadvance.com](http://soleadvance.com). All rights reserved. Technical specifications, data and presentation are subjected to variations, changes and updates without prior notice. Non-contractual information.

