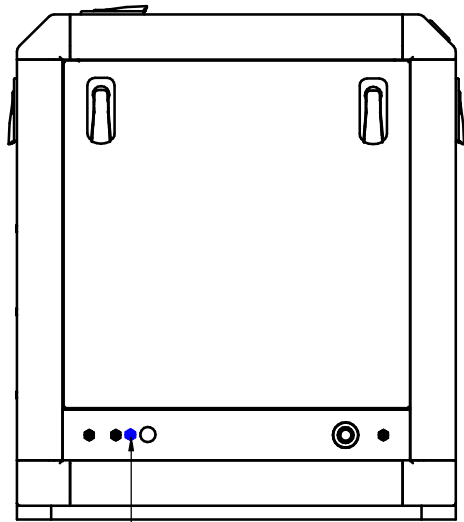
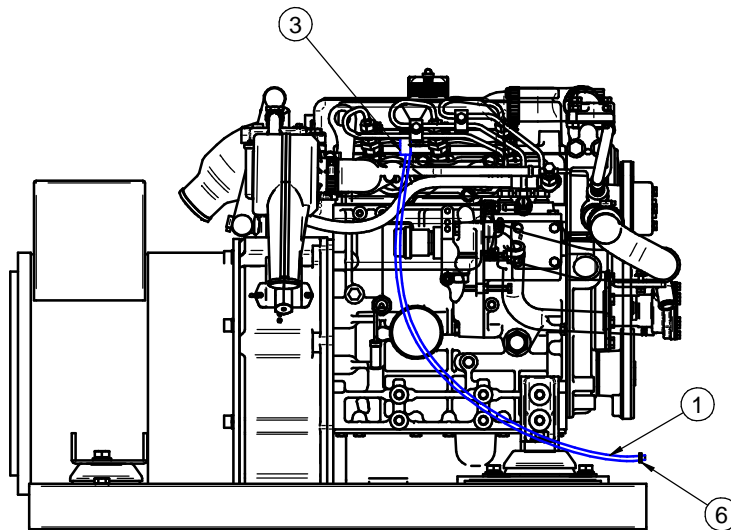
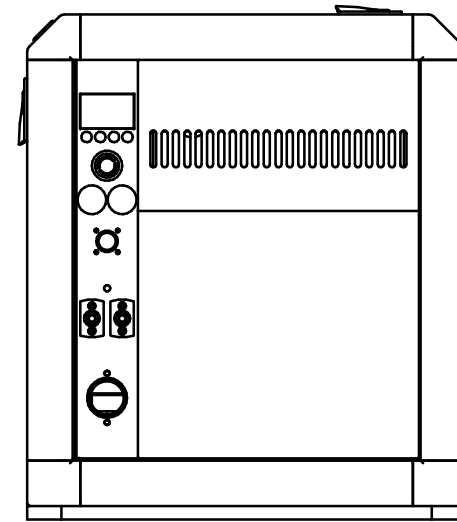


REVISION HISTORY

REF.	DATE	DESCRIPTION
(1)		



④ ⑤



Nº	Reference	Description	Quantity
1	17221008	Breather, Pipe L=800 mm	1
2	60972203V	Rollover Sensor + Harness Extension 4 m	1
3	17221007	Breather, Short Pipe	1
4	60571041.41	Wall Bushing D.9 Male	2
5	60573041.39	9 Rod Coupling 1/8 BSP	1
6	51086015	One Ear Clamp With Interior Ring	1

NOTE:
The Rollover Sensor is not showed in the drawing because it is not installed on the canopy.

Critical Dimensions Limits for Nominal sizes (mm)	over	GENSET 10 GSC 12V 230V			
	to	GRUPO 10 GSC 12V 230V			
	to	MATERIAL	FINISH	TREATMENT	Remove All Burrs And Sharp Edges
	from	DRAWN XAVIER	MODIFIED A.LABORDA	CHECKED S.UBACH	DRAWN DATE 12/06/2014
Tolerance Class DIN-7168	Fine Medium Coarse	Tolerance Class Medium	SOLÉ, S.A.		SCALE 1/12,5 LAST DATE REV. 21/02/2025
			60572041		