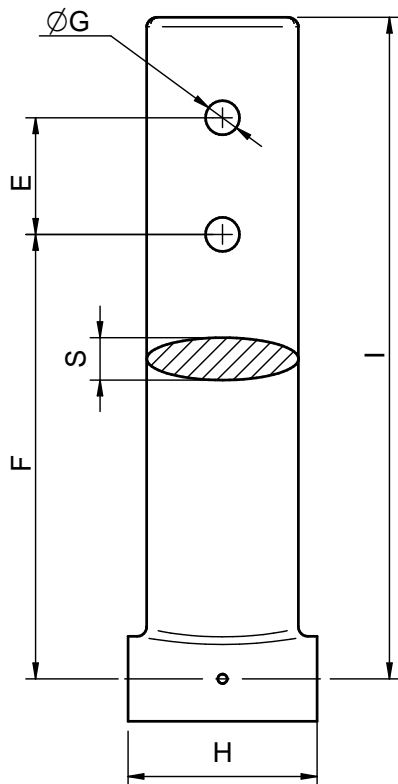


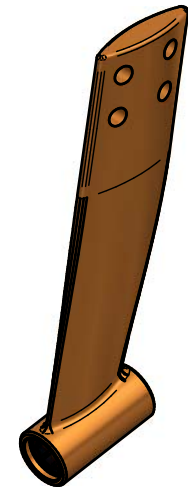
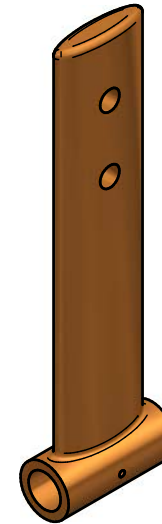
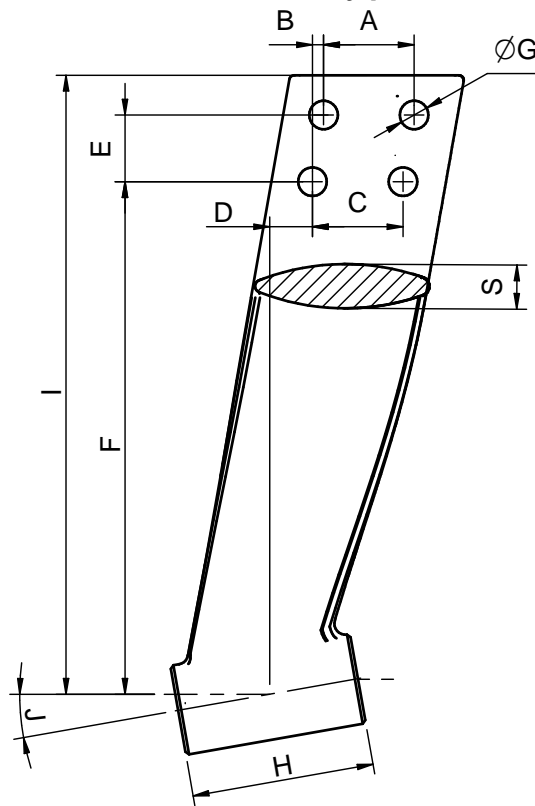
TABLA DE DIMENSIONES Y REFERENCIAS
TABLE OF DIMENSIONS AND PART NUMBERS

Ø	Type	A	B	C	D	E	F	G	H	I	J	S	Nº Taladros	Ref.
19	A	---	---	---	---	45	230	Ø14	76	340	---	18	2	40019580
25	B	45.5	7	46	46	40	335	Ø17	102	400	10°	16	4	40025581.1
30	B	45	6,5	45	22	40	335	Ø17	131	400	10°	22	4	40030581.1
35	B	64	8	64	40	45	375	Ø20	142	450	10°	25	4	40035581.1
40	B	72	10	72	20	60	350	Ø22	165	450	10°	30	4	40040581.1
45	B	80	---	80	25	50	460	Ø25	182	530	10°	36	4	40045581
45	B	75	---	75	30	53	450	Ø22	178	550	10°	35	4	40045581.1
50	B	85	---	85	57	55	460	Ø25	203	550	10°	39	4	40050581.1

Type A



Type B



BRONZE STRUTS. INCLUDES THE SELF-LUBRICATING RUBBER BEARING				
CONJUNTO ARBOTANTE CON COJINETE DE GOMA AUTOLUBRICADO				
MATERIAL	FINISH	TREATMENT	Remove All Burrs. And Sharp Edges	SCALE /.
DRAWN XAVIER	MODIFIED P.IGLESIAS	CHECKED S. UBACH	DRAWN DATE 06/03/2013	LAST DATE REV. 05/08/2024
Tolerance Class	Sole SOLÉ, S.A.		0089	B