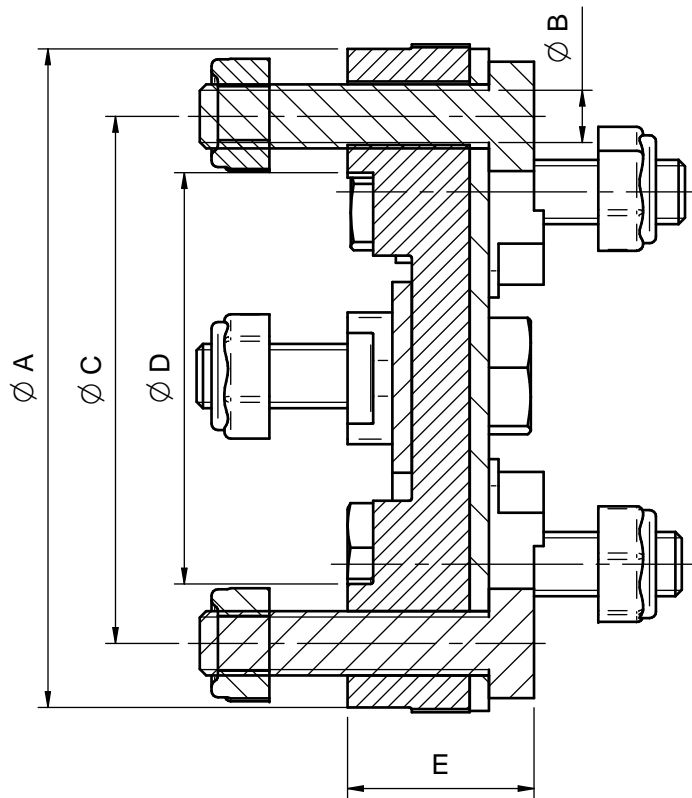
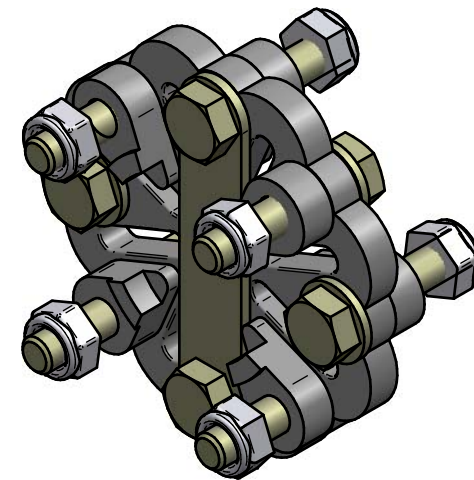


TABLA DE DIMENSIONES Y REFERENCIAS TABLE OF DIMENSIONS AND PART NUMBERS



Ø A	Ø B	Ø C	Ø D	E	f	Inversor / Gearbox	Ref.
102	4x9.9	82.55	63.5	28	3	SOLÉ DIESEL, B. Warner, PRM, Hurth, Technodrive	40025100
102	4x9.9	82.55	63.5	31	8	SOLÉ DIESEL, B. Warner, PRM, Hurth, Technodrive	40030100
142	4x11.2	108	63.5	41	13	B. Warner, PRM, Hurth, Technodrive	40040100
142	4x11.2	108	63.5	52	20	B. Warner, PRM, Hurth, Technodrive	40045100
152	6x16	120.6	76.2	55,4	37	Twin Disc, ZF-Hurth	40045101
155	6x16	120.6	76.2	50	28	Technodrive (TM -265)	40050100
223	10x18	170	140	124	75	ZF325IV	40050101



EJEMPLO DE SELECCIÓN

P' = Potencia motor = 40 CV
 N = rpm máximas motor = 3000 rpm
 R = Reducción inversor = 2:1 = 2
 N' = Revoluciones eje = $\frac{N}{R} = \frac{3000}{2} = 1500$ rpm
 P = Potencia admisible acoplamiento $P = \left(\frac{N'}{100}\right) \times f$
 $\Rightarrow P > P'$
 Nuestro motor monta un inversor SMI-R3 ($\varnothing D=63.5$), buscamos en el catálogo el acoplamiento que se ajusta a la brida del inversor. Seleccionamos el 40025100 y determinamos su potencia admisible P .
 $P = \left(\frac{1500}{100}\right) \times 3 = 45 \text{ CV} > 40 \text{ CV} \Rightarrow \text{CORRECTO}$

SELECTION EXAMPLE

P' = Engine power = 40 CV
 N = maximum engine rpm = 3000 rpm
 R = Gearbox reduction ratio = 2:1 = 2
 N' = Shaft Revolutions = $\frac{N}{R} = \frac{3000}{2} = 1500$ rpm
 P = Coupling Permissible Power $P = \left(\frac{N'}{100}\right) \times f \Rightarrow P > P'$
 Our engine has an SMI-R3 ($\varnothing D=63.5$) gearbox, so we look in the catalogue for a coupling that fits the gearbox flange's.
 We choose the 40025100 and determine its admissible power P .
 $P = \left(\frac{1500}{100}\right) \times 3 = 45 \text{ CV} > 40 \text{ CV} \Rightarrow \text{CORRECT}$

ACOPLAMIENTO FLEXIBLE TIPO R&D

R&D TYPE FLEXIBLE COUPLINGS

MATERIAL	ACABADO	TRATAMIENTO	PRESENTACIÓN	ESCALA
DIBUJADO XAVIER	VERIFICADO S. UBACH	GRADO PRECISIÓN	FECHA CREACIÓN 06/03/2013	ÚLTIMA REVISIÓN 10/02/2023



SOLÉ, S.A.

1730