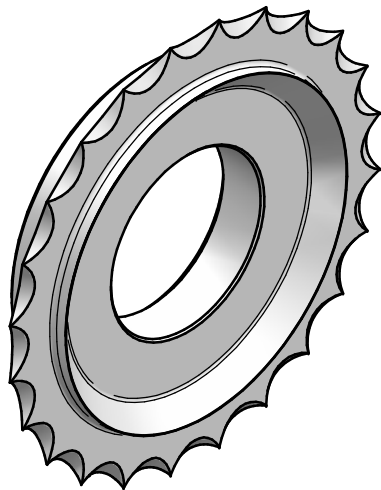
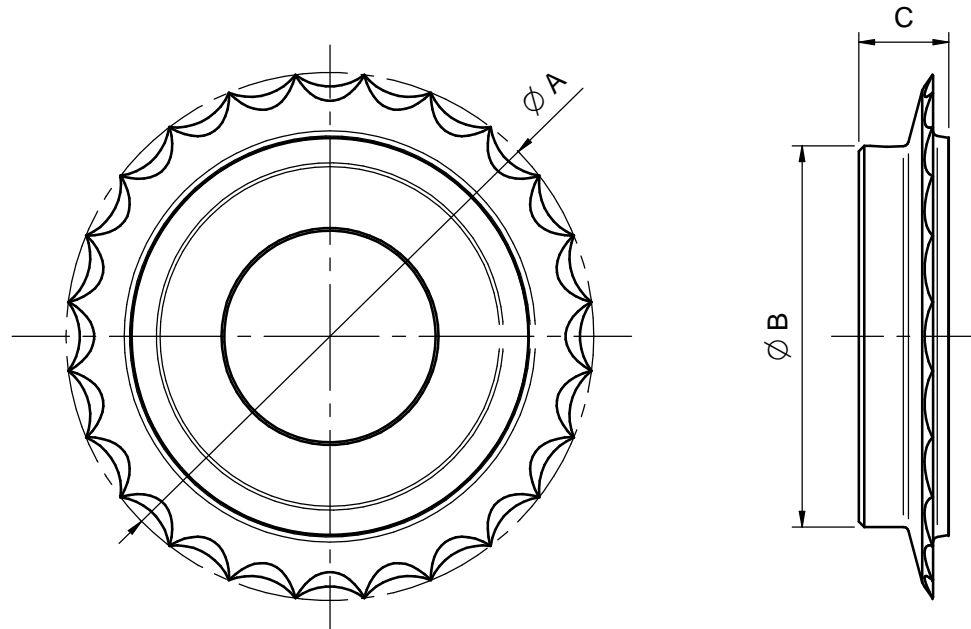


**TABLA DE DIMENSIONES Y REFERENCIAS**  
**TABLE OF DIMENSIONS AND PART NUMBERS**



Ø Shaft (mm) Ø Eje (mm)	A	B	C	Part Number Referencia
20	80	53	17	40020022
22	80	53	17	40022022
25	80	53	17	40025022
30	80	53	17	40030022
35	100	72	17	40035022
40	100	72	17	40040022
45	120	92	17	40045022
50	120	92	17	40050022
60	150	110	30	40060022
65	150	110	31,5	40065022
70	180	128	31,5	40070022
75	200	128	32,5	40075022
80	200	128	32,5	40080022
85	200	128	32,5	40085022
90	220	148	34	40090029
100	240	168	32,5	40099026

Cotas "A-B-C" en mm / "A-B-C" Dimensions in mm

METRIC ROPE CUTTERS				
CORTA CABOS EN SISTEMA MÉTRICO				
MATERIAL INOX A-316L	FINISH	TREATMENT	Remove All Burrs. And Sharp Edges	SCALE 1/1
DRAWN VICTOR PEREZ	MODIFIED OSCARV	CHECKED P.IGLESIAS	DRAWN DATE 18/04/2013	LAST DATE REV. 06/02/2025
Tolerance Class Medium	<b>Solé</b> SOLÉ, S.A.		FA0112	B